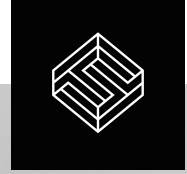


# fabuwood®

CABINETS



## Allure

Specifications Guide / Valid thru February 2024

**Please Note:** Items are subject to change without prior notice. This spec book is missing some updated information, so to stay up to date with product specifications and modification options please use our digital spec book which can be found at <https://ezpricing.fabuwood.com/specbook>

## New! Interactive Index

|  |           |  |           |   |            |
|--|-----------|--|-----------|---|------------|
| <a href="#">Specbook Updates</a>                           | III       | <b><a href="#">Base Cabinets</a></b>                       | <b>26</b> | <a href="#">Posts</a>                         | 68         |
| <a href="#">Construction Specifications</a>                | IV        | <a href="#">Base Cabinets</a>                              | 26        | <a href="#">Pilasters &amp; Corbels</a>       | 69         |
| <a href="#">Q12®</a>                                       | VI        | <a href="#">Specialty Base Cabinets</a>                    | 31        | <a href="#">Moldings (8')</a>                 | 70         |
| <a href="#">Limited Lifetime Warranty</a>                  | VII       | <b><a href="#">Base Cabinets Installed Accessories</a></b> | <b>32</b> | <a href="#">Panels</a>                        | 74         |
| <a href="#">Door Styles</a>                                | VIII      | <b><a href="#">Tall Cabinets</a></b>                       | <b>38</b> | <a href="#">Paint &amp; Touch Up Kits</a>     | 78         |
| <a href="#">Sample Doors</a>                               | XI        | <a href="#">24" Deep Tall Pantry Cabinets</a>              | 38        | <b><a href="#">Hafele Lighting</a></b>        | <b>79</b>  |
| <a href="#">Sales Tools</a>                                | XIII      | <a href="#">12" Deep Tall Pantry Cabinets</a>              | 39        | <a href="#">Under-Cabinet Lighting</a>        | 79         |
| <b><a href="#">Wall Cabinets</a></b>                       | <b>1</b>  | <a href="#">Oven Cabinets</a>                              | 40        | <b><a href="#">Modifications</a></b>          | <b>83</b>  |
| <a href="#">12"- 27" High Wall Cabinets</a>                | 1         | <b><a href="#">Tall Cabinets Installed Accessories</a></b> | <b>43</b> | <a href="#">Cut Modifications</a>             | 84         |
| <a href="#">12"- 24" High &amp; 24" Deep Wall Cabinets</a> | 2         | <b><a href="#">Vanity Cabinets</a></b>                     | <b>47</b> | <a href="#">Pipe Chase</a>                    | 87         |
| <a href="#">30" High Wall Cabinets</a>                     | 3         | <a href="#">Vanities</a>                                   | 47        | <a href="#">Create Columns &amp; Returns</a>  | 89         |
| <a href="#">36" High Wall Cabinets</a>                     | 5         | <b><a href="#">Storage Accessories</a></b>                 | <b>52</b> | <a href="#">Custom Doors</a>                  | 91         |
| <a href="#">42" High Wall Cabinets</a>                     | 7         | <a href="#">Waste Solutions</a>                            | 52        | <a href="#">Customizations</a>                | 92         |
| <a href="#">Glass Doors</a>                                | 9         | <a href="#">Base Accessories</a>                           | 53        | <a href="#">Upgrades</a>                      | 100        |
| <a href="#">Doors Prepped for Glass</a>                    | 10        | <a href="#">Base &amp; Wall Accessories</a>                | 56        | <a href="#">Loose Parts</a>                   | 101        |
| <a href="#">Specialty Wall Cabinets</a>                    | 11        | <a href="#">Wall Accessories</a>                           | 57        | <b><a href="#">Height Alignment Guide</a></b> | <b>103</b> |
| <a href="#">Microwave Wall Cabinets</a>                    | 14        | <a href="#">Sink Accessories</a>                           | 59        | <b><a href="#">SKU Glossary</a></b>           | <b>107</b> |
| <a href="#">Wine Cabinets</a>                              | 16        | <a href="#">Drawer Accessories</a>                         | 60        |   |            |
| <b><a href="#">Hoods</a></b>                               | <b>17</b> | <a href="#">Vanity Accessories</a>                         | 64        |   |            |
| <a href="#">Euro &amp; Farmhouse Hoods</a>                 | 17        | <b><a href="#">Cabinet Accessories</a></b>                 | <b>66</b> |   |            |
| <a href="#">Signature Hoods</a>                            | 18        | <a href="#">Fillers</a>                                    | 66        |   |            |
| <a href="#">Curved Artisan Hoods</a>                       | 19        | <a href="#">Valances</a>                                   | 67        |   |            |
| <a href="#">Arched Hoods</a>                               | 20        |  |           |   |            |
| <a href="#">Hood Liner Specifications</a>                  | 21        |  |           |   |            |
| <a href="#">Hood Ventilation Systems</a>                   | 24        |  |           |   |            |

## Specbook Updates

- **New!** Timber Stained Finish is now available for Luna Door style [pg.VIII](#)
- **New! Curved Artisan Hood and new premium Walnut finish** [pg. 19](#)
  - » RHCA Curved Artisan Hoods available in both Signature stock colors and premium Walnut finish. Comes in 36", 42", and 48" widths. [pg. 19](#)
  - » RHS Signature Hood now available in premium Walnut finish. [pg. 18](#)
- **New! Custom Doors available for online order entry** [pg. 63](#)
  - » New SKUs include Custom Door, Custom Drawer Front, & Custom Deco Panel
- **Additional modifications!** Details & images now found on [pg. 73](#)
- **NEW!** Lower prices on Hafele Lighting Program now found on [pg. 69](#)
- **Discontinued Door Styles**
  - » Galaxy Espresso and Fusion Blanc have been discontinued as of November 16th 2023. *Limited stock available while supplies last. Custom doors no longer available for these door styles.*
- **Expanded Size offerings:**
  - » 36" Tall Pantry Cabinets in both 12" and 24"D [pg. 33](#)
  - » SB21 Sink Base [pg. 30](#)
  - » VB18-34, VB24-34, VB30-34 Vanity Base Cabinets [pg. 37](#)
  - » VDB21-34, VDB24-34 Vanity Drawer Base Cabinets [pg. 38](#)
  - » VSB21-34 Vanity Sink Base Cabinet [pg. 38](#)
  - » ERB33 Easy-Reach Base [pg. 29](#)
  - » MW3018 Wall Microwave Cabinet with Shelf [pg. 15](#)
- **New! Deco, Wainscot Panels and Finished End Panels:**
  - » Oversized Finished Panels – PLY-1/2 48X120, PLY-3/4 48X120 [pg.65](#)
  - » Oversized Return Panels - REP30120 x 1-1/2, REP30120 x 3, REP30120 [pg.65](#)
  - » BEP Base End Panel [pg. 65](#)
  - » WP-W1524D Wainscot Panel for 15"H x 24"D [pg. 66](#)
  - » DD B06FD Deco door for 6" Filler/SPO-B6 [pg. 67](#)
- **Loose Parts:** Restrictor Clips, Loose shelf clips, Door Stem Bumpers [pg. 29](#)
- **Product Updates:**
  - » ACRYLIC LOGO 38X8 - Fabuwood Logo Sign from the Selling Center is no available as a stand-alone item! [pg.XIV](#)
  - » LSB36 now comes with larger 32" trays [pg. 30](#)
  - » Tall Pantries now available in 12" depth [pg. 33](#)
  - » Paint, Paint Spray Can & Touch-Up Kits now available for Express Custom Colors [pg. 68](#)
- **Hafele Lighting Program** [pg. 79:](#)

*Hafele under-cabinet and floating shelf lighting now available to add as an accessory for all Framed wall cabinets. Be sure to include the Power supply starter kit(s) per number of zones and any additional Lighting switches as needed.*

## Construction Specifications

### Doors and Drawer Fronts:

Doors and drawer fronts in the Allure line are made of solid wood stiles and rails joined together using mortise and tenon joints with an MDF center panel to reduce the possibility of shrinkage and is the preferred material for painted finishes.

### Hinges:

All Allure door styles come standard with Blum Compact Clip Concealed Hinges and feature Quick-Release Technology with Blumotion Soft-close. Hinges are six-way adjustable and open at 110°.

Please note: Lazy Susan, Easy Reach, and Pie Cut cabinets do not feature the soft-close mechanism.

### Drawers:

The Allure line includes a 5/8" thick solid wood dovetail drawer box with a 3/8" plywood bottom attached to Tandem plus Blumotion full extension soft-closing concealed drawer runners. Interior drawer height is 3".

### Shelving:

18mm (3/4") thick select veneered plywood with matching wood veneer edge banding is used on all wall, tall, and base cabinetry where applicable. The adjustable shelves are supported by metal shelf clips. All standard depth base cabinetry includes an 18" deep adjustable shelf, wall cabinetry 10 5/8" deep adjustable shelves, and tall cabinetry 21" deep adjustable shelves.

### Cabinet Sides, Backs, Tops and Bottoms:

1/2" thick veneered plywood with natural finished interiors, dovetailed side panels engineered to create a solid integrated cabinet box. Backs are stapled and screwed into place for additional support.

### Face Frame:

3/4" x 1 1/2" solid wood stiles and rails jointed with glue and dowels. Back of face frames are dovetail grooved to accept side panels. The face frame is engineered so that the bottoms of all base and wall cabinets are flushed with the top inside edge of the face frame creating a custom look.

### Toe Kick:

Base and tall cabinets are constructed with 3/4" x 4 1/2" unfinished plywood\* toe kick. Additional 8-foot lengths of 1/4" toe kicks are available in matching color to our cabinetry.

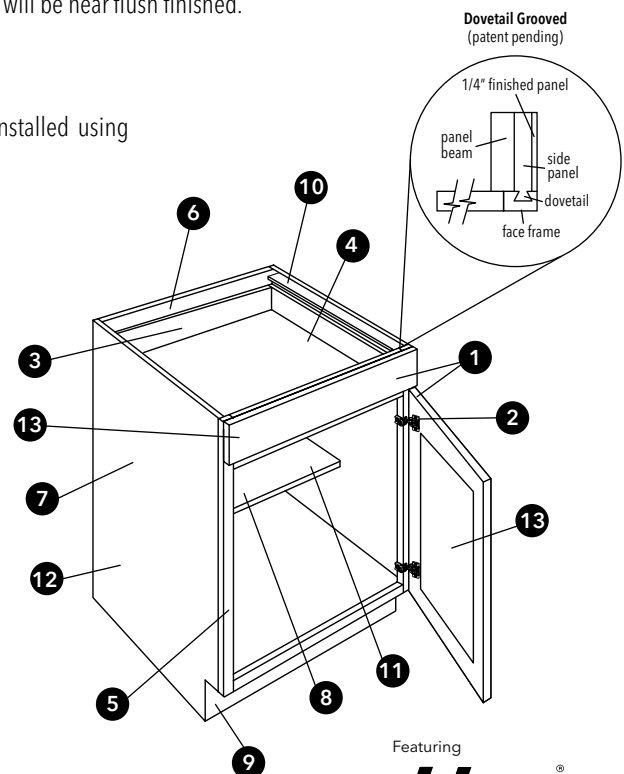
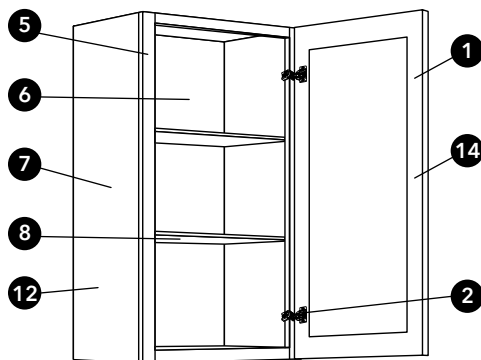
### Panel Beams:

2 1/2" x 1/2" plywood\* panel beam is fastened into a dovetail groove at the top of each base cabinet to ensure a straight fully integrated side, and for use of support and mounting of a countertop.

\* *May come in finish other than natural ply, this does not denigrate the quality of material or structure of the cabinet.*

## Construction Specifications

- 1 Solid wood door and drawer front frames are mortise and tenon.
- 2 Compact Clip Hinges with Quick-Release technology. Includes Blumotion soft-close mechanism integrated in six-way adjustable hinges. Hinges open at 110°
- 3  $\frac{5}{8}$ " solid wood dovetail drawer with a  $\frac{3}{8}$ " plywood bottom features Tandem plus Blumotion full extension concealed drawer runners.
- 4 3" interior drawer height.
- 5  $\frac{3}{4}$ " x  $1\frac{1}{2}$ " solid wood face frame.
- 6  $\frac{1}{2}$ " veneered plywood back with a natural finished interior.
- 7  $\frac{1}{2}$ " unfinished plywood side panels dovetailed into face frame.
- 8 18mm ( $\frac{3}{4}$ ") veneered plywood adjustable shelving with matching wood veneer edge banding.
- 9  $\frac{3}{4}$ " x  $4\frac{1}{2}$ " unfinished plywood toe kick attached to cabinet. Matching  $\frac{1}{4}$ " Toe Kick cover to be ordered separately.
- 10  $2\frac{1}{2}$ " x  $\frac{1}{2}$ " plywood\* panel beams dovetailed into the side panels for strength and stability.
- 11 Base cabinet has 18" deep shelf.
- 12 When placing an order, need to select exposed sides; Right, Left or Both. A  $\frac{1}{4}$ " select medium-density fiberboard panel will be applied to the selected side(s), and the side will be near flush finished.
- 13 Doors and drawers are full overlay
- 14 Wall cabinet has a full overlay door. Crown molding should be installed using STRM-8 Starter Molding or similar molding bracing.



\* May come in finish other than natural ply, this does not denigrate the quality of material or structure of the cabinet.

Featuring  
**blum**



## What exactly defines a Q12 cabinet?

To fully achieve Q12 eligibility, a cabinet must encompass twelve unique standards of quality. Read below to learn more about the twelve fundamental pillars that establish the Q12 qualification:

### Q1: CAREFULLY SELECTED ELEMENTS

To ensure the absolute integrity of our product, each element is carefully selected. We start by choosing only "Grade-A" materials and make no compromises along the way.

### Q2: PRO-TOUCH TECHNIQUES

Our Allure and Illume cabinets offer high-end finishes that are as beautiful as they are durable and practical. Fabuwood's distinctive pro-touch techniques allow for a sustainable and resilient cabinet finish that is not only easy to clean but will retain its beautiful luster for years.

### Q3: ADVANCED CONSTRUCTION

Our Allure Dovetail and Illume Threespine® construction methods are superior, innovative, and built for a lifetime of use. Fabuwood offers cabinets of the utmost strength, on par with the highest industry standards. Our attention to detail, coupled with advanced construction techniques, means a long lasting, superior quality cabinet every time.

### Q4: ANTI-WARP STRUCTURES

All our cabinets are engineered in a way that eliminates warping, ensuring the cabinets hold up against elemental pressures. Crafted to perfection, every detailed component is created with unfailing durability. Each cabinet we produce is held to a high standard, ensuring long-lasting reliability.

### Q5: METAL SHELF CLIPS

To maintain a maximum level of stability that preserves a shelf's longevity, these metal shelf clips assure sturdiness and durability. With this feature your shelves are sure to stand the test of time.

### Q6: TOUGH BACK BUILDS

For superior structural longevity, the back builds on the Allure and Illume series are built tough and easy to install. Our rigorous pressure testing guarantees that our products won't give in.

### Q7: FLUSH FIT

To achieve an attractive appearance that is convenient and practical, our Q12 cabinets are built with a flush fit to ensure smooth surfaces and easy in-and-out access.

### Q8: UNIQUE INTERIORS

The interior finish of our cabinets is as important as the exterior. Fabuwood offers high end, unique interior finishes for a clean and sophisticated look.

### Q9: ONE-CLICK INSTALLATION

In addition to our soft-close action feature, the cutting-edge Blum Compact Clip Hinge allows for lightning-fast one-click installation and release.

### Q10: FLUID FULL-EXTENSION

Our cabinets are built with smooth full-extension glides to guarantee an enhanced running action that maximizes its storage to full capacity. Fabuwood manufactures its cabinets with Blum's tandem plus runners and soft-closing technology, utilizing space while also preventing damage and deterioration.

### Q11: EZ LEVEL DRAWER FRONTS

On both framed and frameless products, to achieve an aesthetically graceful balance and ensure proper drawer alignment and function, our cabinets use an effortless system, utilizing a degree of mechanical precision for installing perfectly positioned drawer faces.

### Q12: LIMITED LIFETIME WARRANTY

Our integrity-defining limited lifetime warranty is our commitment to quality and excellence. The warranty reflects our pledge to always back our cabinets while delivering an immaculate product. With precise crafting techniques, Q12 cabinets are poised for a lifetime of use.

## Limited Lifetime Warranty

### COVERAGE OF WARRANTY

Fabuwood Cabinetry Corp ("Fabuwood") is pleased to provide the following limited warranty to the first residential purchaser of all cabinets imported to and assembled and sold in the United States by Fabuwood. This warranty does not cover cabinets sold or shipped outside of the United States and Canada. A residential purchaser is a person who purchases and installs the cabinets in a dwelling that is owned and used by that person as a primary or secondary home, or, in the case of a developer or builder, this limited warranty may be assigned to the initial purchaser who uses the dwelling as a primary or secondary home. This warranty, however, is not transferable to subsequent owners of the home. This limited warranty is subject to all limitations, exclusions, disclaimers and procedures set forth herein.

**LIMITED LIFETIME WARRANTY (Only on Allure and Illume series cabinets):** Fabuwood warrants to the original purchasing consumer that all Allure and Illume series cabinets purchased from Fabuwood will be free from all unnatural defects in material and workmanship in accordance with the Fabuwood quality standards sheet under normal residential use as long as the original purchasing consumer owns the home in which such cabinets are installed.

### EXCLUSIONS

THIS WARRANTY SUPERSEDES ANY AND ALL PREVIOUS WARRANTIES BY FABUWOOD AND CONSTITUTES THE EXCLUSIVE REMEDY AGAINST FABUWOOD FOR ALL DEFECTS, DAMAGES AND WORKMANSHIP. THERE ARE NO IMPLIED WARRANTIES EXTENDING BEYOND THE TERMS OF THIS WARRANTY. TO THE MAXIMUM EXTENT PERMITTED BY APPLICABLE LAW, FABUWOOD SHALL NOT BE LIABLE FOR ANY INDIRECT, SPECIAL, PUNITIVE, INCIDENTAL OR CONSEQUENTIAL COSTS, EXPENSES OR DAMAGES (INCLUDING LOST PROFITS), EVEN IF THIS LIFETIME LIMITED WARRANTY IS DEEMED TO HAVE FAILED OF ITS ESSENTIAL PURPOSE. SOME STATES DO NOT ALLOW THE EXCLUSION OR LIMITATION OF INCIDENTAL OR CONSEQUENTIAL DAMAGES, SO THE ABOVE LIMITATION OR EXCLUSION MAY NOT APPLY TO YOU. THIS WARRANTY GIVES YOU SPECIFIC LEGAL RIGHTS, AND YOU MAY ALSO HAVE OTHER RIGHTS, WHICH VARY FROM STATE TO STATE. IT IS POSSIBLE THAT ONE OR MORE OF THE LIMITATIONS AND EXCLUSIONS IN THIS WARRANTY MAY NOT APPLY TO YOU. THE LIMITED LIFETIME WARRANTY ON ALLURE AND ILLUME SERIES CABINETS APPLIES ONLY TO PRODUCTS PURCHASED ON OR AFTER 01/26/2023.

### LIMITATIONS

This warranty shall become void if the cabinets, cabinetwork, drawer slides or hinges are modified from its original form, improperly installed or damaged prior to or during the installation, or used in any way other than for residential purposes. This warranty covers only parts and materials of the cabinets as supplied by Fabuwood. This warranty does not cover any products used or installed in connection with cabinets, such as gas or electric appliances, countertops, or plumbing fixtures. This warranty does not apply to products installed in locations that do not maintain year-round environmental controls. This warranty shall not apply to damages caused by transportation, storage, dirt, chemicals, exposure to moisture, humidity or excessive heat or cold, nor does it cover the effects arising from normal wear and tear, misuse, neglect, accidents, alterations, improper use or failure to maintain properly, house settling, or acts of God. No installer, retailer, distributor, agent or employee of Fabuwood has the authority to alter the obligations or limitations in this warranty.

### QUALITY STANDARDS

This warranty covers all damages and unnatural defects that are deemed as such under the current Fabuwood Quality Standards sheet. The current Fabuwood Quality Standards sheet is available for download in the dealer login section of the Fabuwood website ([www.fabuwood.com](http://www.fabuwood.com)), which should be reviewed at each time a claim for warranty service is being considered. Fabuwood reserves the right to modify or change the Fabuwood Quality Standards sheet at any time without notice.

### DISCLAIMERS

The following is a brief recap of some of the characteristics of the wood and finishes on the cabinets you are about to purchase. Please read them carefully. If some of these characteristics concern you, please choose something else. We bring these characteristics to your attention so you will realize that Fabuwood will not be held responsible for these variations in your cabinetry. It is important to note that wood products claimed as defective are most often the result of atmospheric conditions such as excess moisture and humidity.

Fabuwood strongly recommends testing the intended location of the products for such conditions prior to installation.

**WOOD AND COLOR VARIATIONS:** Wood is a product of nature, and since no two trees are alike, cabinets may vary in color, texture and grain. Wood characteristics naturally occurring such as variations in color, grain, mineral streaks, pinholes and knots are not considered defects. Color variations in cabinets are also a natural occurrence due to species, age, character of cabinets, and exposure to UV light, smoke, certain household cleaners, sunlight, extreme temperatures, and other environmental conditions. For these reasons, new and/or replacement cabinets may not match display samples and/or existing cabinets. This may result in overall color variations, but is not considered a defect.

**WOOD DOORS, DRAWER FRONTS, AND FACE FRAMES:** Wood by nature will undergo expansion and contraction movements over the years as it compensates and adjusts to ever changing atmospheric humidity and temperature conditions. It is very common for center panels on doors to shrink, expand or move during these changes. Typically, the panel will return to its normal position within a year once it has adjusted to seasonal changes. It is for these same reasons that it is very common for doors to warp during these periods. Doors that are warped up to 1/4" are not considered defective. [Note: It is advisable to check if the door was properly installed, since doors that appear warped are very often the result of improper installation.] Painted doors, drawer fronts, and face frames may eventually have visible cracking around the joint areas, and cabinet colors may darken or lighten over time. These variations are considered to be the nature of the material in relation to their environmental exposure and are not covered under this lifetime limited warranty.

**PAINTED FINISHES:** Plywood is a non-porous, smooth grained wood. Additionally, wood by nature undergoes periods of expansion and contraction while it adjusts to atmospheric conditions mentioned above. As such, finish stress lines may become visible on painted cabinets especially at the joints. Any such occurrence is not considered a defect.

**GLAZED FINISHES:** A glazed finish by character is an uneven finish. Some edges and profiles will be larger than others and glazing may vary cabinet to cabinet, door to drawer and item to item. This may result in overall color, texture, and finish variations but these are not considered defects.

### WARRANTY PERFORMANCE

If a defect does occur within the terms and conditions of this warranty such defective part will be repaired or replaced by Fabuwood at its sole discretion. Fabuwood will not provide or pay for the cost of removal of defective product, transportation of defective, repaired or replaced product or installation of repaired or replaced product. If it is not commercially feasible to repair or replace a defective product, we may refund the original price paid by you for the defective product, or provide a credit towards a similar type of product sold by us. Fabuwood will not be responsible for any shipping damages to the defective, replaced or repaired product. If defective item has been discontinued or is not available at the time, Fabuwood reserves the right to replace the item with the most similar item available in Fabuwood's inventory at that time. Fabuwood reserves the right to alter design, specifications and material without obligation to make similar changes to products previously manufactured. Fabuwood cannot guarantee that the finish of any replacement will exactly match the finish and appearance of the defective item due to the natural ageing process of the wood and finishes of the cabinets. Fabuwood may require at its discretion that the customer submit a clear photo, or that a company representative inspect the item being claimed before honoring this warranty.

### CLAIMS

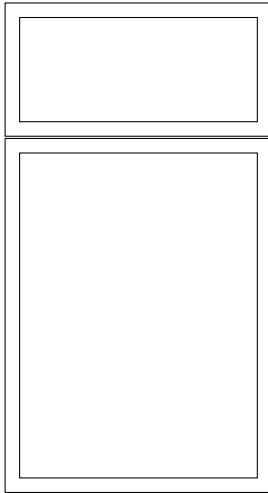
To submit a claim covered under this warranty, the claim must be filed through Fabuwood's EZ pricing system by the original Fabuwood-authorized dealer. In case the original dealer cannot be identified, or they have closed down, the warranty claim, must be emailed to [customerservice@fabuwood.com](mailto:customerservice@fabuwood.com). The email should explain the issue and include pictures showing the claimed defects. Feel free to call 201-432-6555 ext. 1 for assistance.

### NOTE

Please do not send back any items to Fabuwood prior to receiving proper authorization from customer service. Fabuwood takes no responsibility on any items sent back to Fabuwood without proper return authorization.

Last Modified: 01/26/2023: Change of limited warranty duration from 5-years to the original purchaser of the cabinetry for as long as they own their home.

## Door Styles



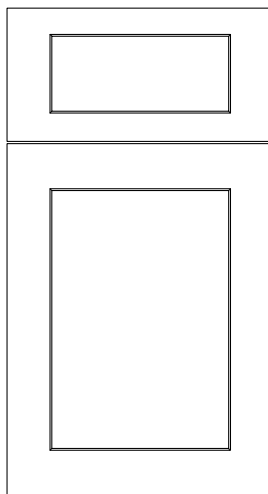
### LUNA

| COLOR               | FINISH |
|---------------------|--------|
| Dove                | Paint  |
| Kona*               | Stain  |
| <b>NEW!</b> Indigo  | Paint  |
| <b>NEW!</b> Timber* | Stain  |

- Full Overlay door Door / drawer stiles and rails are 3/4" wide
- Constructed with mortise and tenon joints
- Doors and Drawer fronts in the Luna door style are made with either Solid Wood Stiles & Rails (Stained Finishes) or HDF Stiles & Rails (Painted Finishes) and joined with a 5/8" thick Moisture-Resistant MDF/veneer center panel to reduce the possibility of shrinkage.
- 5-piece recessed panel drawer front matches door design and detail.
- Blum Compact Clip Concealed Hinges with Quick-Release Technology and Blumotion Soft-close (Blum Model# 31C3355B.20)
- Tandem plus Blumotion full extension concealed drawer runners (Blum Model #563H)

\* **FINISH DISCLAIMER:**

**Due to the nature of wood and the complex finishing processes used to generate stained finishes, there may be variations in color which are considered normal.**



### GALAXY

| COLOR                          | FINISH |
|--------------------------------|--------|
| Frost                          | Paint  |
| Linen                          | Paint  |
| Nickel                         | Paint  |
| Indigo                         | Paint  |
| <b>NEW!</b> Timber*            | Stain  |
| <b>DISCONTINUING</b> Espresso* | Stain  |
| Horizon*                       | Stain  |
| Cobblestone*                   | Stain  |

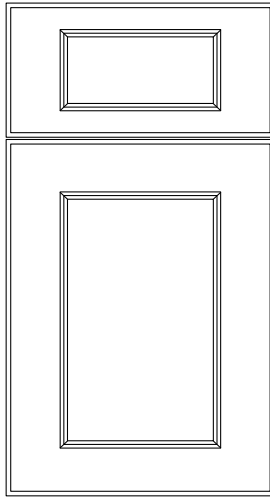
- Full overlay door
- Stiles and rails are 3/4" thick and 2 1/2" wide
- Constructed with mortise and tenon joints
- Doors consist of 3/8" thick recessed MDF/veneer center panel
- 5-piece drawer fronts are 1/2" thick recessed MDF/veneer center panel that match door design and detail
- Blum Compact Clip Concealed Hinges with Quick-Release Technology and Blumotion Soft-close (Blum Model# 31C3355B.20)
- Tandem plus Blumotion full extension concealed drawer runners (Blum Model #563H)

\* **FINISH DISCLAIMER:**

**Due to the nature of wood and the complex finishing processes used to generate stained finishes, there may be variations in color which are considered normal.**



## Door Styles



### FUSION

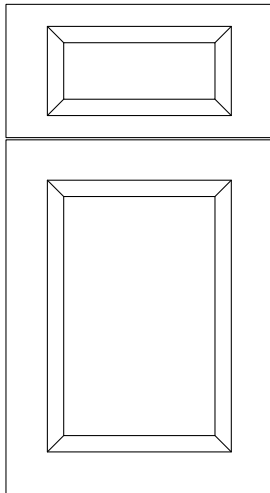
**DISCONTINUING**

| COLOR  | FINISH        |
|--------|---------------|
| Blanc  | Paint + Glaze |
| Nickel | Paint         |
| Dove   | Paint         |
| Stone  | Paint         |
| Oyster | Paint         |
| Kona*  | Stain         |

- Full overlay door
- Stiles and rails are 3/4" thick and 3" wide
- Constructed with mortise and tenon joints
- 3/8" thick reversed MDF / veneer center panel
- 5-piece recessed panel drawer front matches door design and detail.
- Blum Compact Clip Concealed Hinges with Quick-Release Technology and Blumotion Soft-close (Blum Model# 31C3355B.20)
- Tandem plus Blumotion full extension concealed drawer runners (Blum Model #563H)

\* **FINISH DISCLAIMER:**

**Due to the nature of wood and the complex finishing processes used to generate stained finishes, there may be variations in color which are considered normal.**



### ONYX

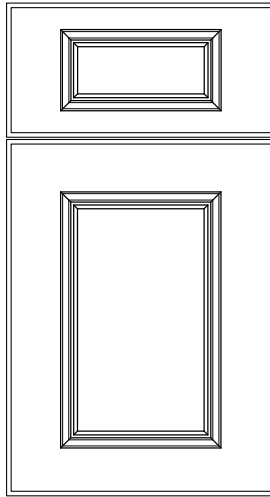
| COLOR        | FINISH |
|--------------|--------|
| Frost        | Paint  |
| Horizon*     | Stain  |
| Cobblestone* | Stain  |

- Full overlay door
- Stiles and rails are 3/4" thick and 3" wide
- Constructed with mortise and tenon joints
- 3/8" thick reversed MDF / veneer center panel
- 5-piece recessed panel drawer front matches door design and detail
- Blum Compact Clip Concealed Hinges with Quick-Release Technology and Blumotion Soft-close (Blum Model# 31C3355B.20)
- Tandem plus Blumotion full extension concealed drawer runners (Blum Model #563H)

\* **FINISH DISCLAIMER:**

**Due to the nature of wood and the complex finishing processes used to generate stained finishes, there may be variations in color which are considered normal.**

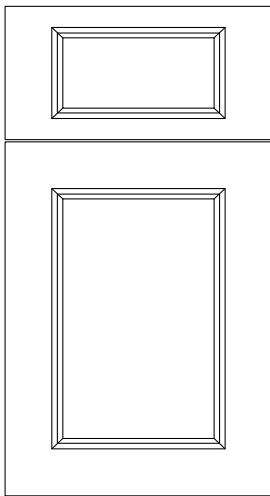
## Door Styles



### IMPERIO

| COLOR  | FINISH |
|--------|--------|
| Dove   | Paint  |
| Nickel | Paint  |

- Full overlay door
- Frames are solid wood  $\frac{3}{4}$ " thick and 3" wide
- Constructed with mortise and tenon joints
- MDF center panel is  $\frac{5}{8}$ " thick
- An **applied moulding** is added to the inside edge of the door frame
- 5 piece recessed panel drawer front matches door design and moulding detail
- **Cabinet installed next to a wall or deeper cabinet requires a  $\frac{1}{4}$ " filler for full door opening**
- Blum Compact Clip Concealed Hinges with Quick-Release Technology and Blumotion Soft-close (Blum Model# 31C335B.20)
- Tandem plus Blumotion full extension concealed drawer runners (Blum Model #563H)

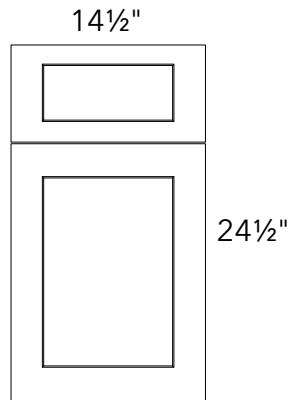


### NEXUS

| COLOR | FINISH |
|-------|--------|
| Frost | Paint  |

- Full overlay door
- Stiles and rails are  $\frac{3}{4}$ " thick and  $3\frac{1}{4}$ " wide
- Constructed with mortise and tenon joints
- $\frac{3}{8}$ " thick reversed MDF center panel
- 5-piece recessed panel drawer front matches door design and detail.
- Blum Compact Clip Concealed Hinges with Quick-Release Technology and Blumotion Soft-close (Blum Model# 31C335B.20)
- Tandem plus Blumotion full extension concealed drawer runners (Blum Model #563H)

## Sample Doors



### DOOR SAMPLES WITH DRAWER FRONT

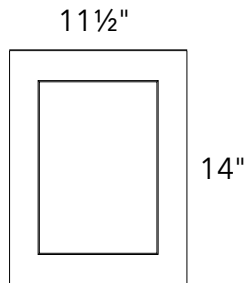
| ITEM  | DESCRIPTION        |
|-------|--------------------|
| SDLD  | LUNA DOVE          |
| SDLK  | LUNA KONA          |
| SDLI  | LUNA INDIGO        |
| SDLTI | LUNA TIMBER        |
| SDGF  | GALAXY FROST       |
| SDGL  | GALAXY LINEN       |
| SDGN  | GALAXY NICKEL      |
| SDGI  | GALAXY INDIGO      |
| SDGT  | GALAXY TIMBER      |
| SDGE  | GALAXY ESPRESSO    |
| SDGH  | GALAXY HORIZON     |
| SDGC  | GALAXY COBBLESTONE |
| SDFB  | FUSION BLANC       |
| SDFN  | FUSION NICKEL      |
| SDFD  | FUSION DOVE        |
| SDFO  | FUSION OYSTER      |
| SDFS  | FUSION STONE       |
| SDFK  | FUSION KONA        |
| SDOF  | ONYX FROST         |
| SDOH  | ONYX HORIZON       |
| SDOC  | ONYX COBBLESTONE   |
| SDID  | IMPERIO DOVE       |
| SDIN  | IMPERIO NICKEL     |
| SDNF  | NEXUS FROST        |

### EXPRESS CUSTOM COLOR DOOR SAMPLES WITH DRAWER FRONT

| ITEM  | DESCRIPTION          |
|-------|----------------------|
| SDLCW | LUNA CLOUD WHITE     |
| SDLDB | LUNA DENIM BLUE      |
| SDLHG | LUNA HUNTER GREEN    |
| SDLOB | LUNA OCEAN BLUE      |
| SDLPB | LUNA PITCH BLACK     |
| SDLSG | LUNA SAGE GREEN      |
| SDGCW | GALAXY CLOUD WHITE   |
| SDGDB | GALAXY DENIM BLUE    |
| SDGHG | GALAXY HUNTER GREEN  |
| SDGOB | GALAXY OCEAN BLUE    |
| SDGPB | GALAXY PITCH BLACK   |
| SDGSG | GALAXY SAGE GREEN    |
| SDFCW | FUSION CLOUD WHITE   |
| SDFDB | FUSION DENIM BLUE    |
| SDFHG | FUSION HUNTER GREEN  |
| SDFOB | FUSION OCEAN BLUE    |
| SDFPB | FUSION PITCH BLACK   |
| SDFSG | FUSION SAGE GREEN    |
| SDOCW | ONYX CLOUD WHITE     |
| SDODB | ONYX DENIM BLUE      |
| SDOHG | ONYX HUNTER GREEN    |
| SDOOB | ONYX OCEAN BLUE      |
| SDOPB | ONYX PITCH BLACK     |
| SDOSG | ONYX SAGE GREEN      |
| SDICW | IMPERIO CLOUD WHITE  |
| SDIDB | IMPERIO DENIM BLUE   |
| SDIHG | IMPERIO HUNTER GREEN |
| SDIOB | IMPERIO OCEAN BLUE   |
| SDIPB | IMPERIO PITCH BLACK  |
| SDISG | IMPERIO SAGE GREEN   |
| SDNCW | NEXUS CLOUD WHITE    |
| SDNDB | NEXUS DENIM BLUE     |
| SDNHG | NEXUS HUNTER GREEN   |
| SDNOB | NEXUS OCEAN BLUE     |
| SDNPB | NEXUS PITCH BLACK    |
| SDNSG | NEXUS SAGE GREEN     |

• A Finish Surcharge will be applied to Express Custom Color Sample Doors

## Sample Doors



### SMALL DOOR SAMPLES

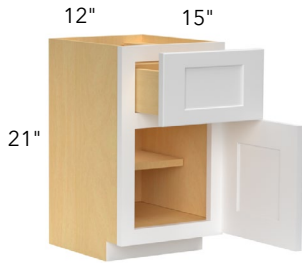
| ITEM    | DESCRIPTION        |
|---------|--------------------|
| SDLD-2  | LUNA DOVE          |
| SDLK-2  | LUNA KONA          |
| SDLI-2  | LUNA INDIGO        |
| SDLT1-2 | LUNA TIMBER        |
| SDGF-2  | GALAXY FROST       |
| SDGL-2  | GALAXY LINEN       |
| SDGN-2  | GALAXY NICKEL      |
| SDGI-2  | GALAXY INDIGO      |
| SDGT-2  | GALAXY TIMBER      |
| SDGE-2  | GALAXY ESPRESSO    |
| SDGH-2  | GALAXY HORIZON     |
| SDGC-2  | GALAXY COBBLESTONE |
| SDFB-2  | FUSION BLANC       |
| SDFN-2  | FUSION NICKEL      |
| SDFD-2  | FUSION DOVE        |
| SDFK-2  | FUSION OYSTER      |
| SDFO-2  | FUSION STONE       |
| SDFD-2  | FUSION KONA        |
| SDOF-2  | ONYX FROST         |
| SDOH-2  | ONYX HORIZON       |
| SDOC-2  | ONYX COBBLESTONE   |
| SDID-2  | IMPERIO DOVE       |
| SDIN-2  | IMPERIO NICKEL     |
| SDNF-2  | NEXUS FROST        |

### EXPRESS CUSTOM COLOR SMALL DOOR SAMPLES

| ITEM    | DESCRIPTION          |
|---------|----------------------|
| SDLCW-2 | LUNA CLOUD WHITE     |
| SDLDB-2 | LUNA DENIM BLUE      |
| SDLHG-2 | LUNA HUNTER GREEN    |
| SDLOB-2 | LUNA OCEAN BLUE      |
| SDLPB-2 | LUNA PITCH BLACK     |
| SDLSG-2 | LUNA SAGE GREEN      |
| SDGCW-2 | GALAXY CLOUD WHITE   |
| SDGDB-2 | GALAXY DENIM BLUE    |
| SDGHG-2 | GALAXY HUNTER GREEN  |
| SDGOB-2 | GALAXY OCEAN BLUE    |
| SDGPB-2 | GALAXY PITCH BLACK   |
| SDGSG-2 | GALAXY SAGE GREEN    |
| SDFCW-2 | FUSION CLOUD WHITE   |
| SDFDB-2 | FUSION DENIM BLUE    |
| SDFHG-2 | FUSION HUNTER GREEN  |
| SDFOB-2 | FUSION OCEAN BLUE    |
| SDFPB-2 | FUSION PITCH BLACK   |
| SDFSG-2 | FUSION SAGE GREEN    |
| SDOCW-2 | ONYX CLOUD WHITE     |
| SDODB-2 | ONYX DENIM BLUE      |
| SDOHG-2 | ONYX HUNTER GREEN    |
| SDOOB-2 | ONYX OCEAN BLUE      |
| SDOPB-2 | ONYX PITCH BLACK     |
| SDOSG-2 | ONYX SAGE GREEN      |
| SDICW-2 | IMPERIO CLOUD WHITE  |
| SDIDB-2 | IMPERIO DENIM BLUE   |
| SDIHG-2 | IMPERIO HUNTER GREEN |
| SDIOB-2 | IMPERIO OCEAN BLUE   |
| SDIPB-2 | IMPERIO PITCH BLACK  |
| SDISG-2 | IMPERIO SAGE GREEN   |
| SDNCW-2 | NEXUS CLOUD WHITE    |
| SDNDB-2 | NEXUS DENIM BLUE     |
| SDNHG-2 | NEXUS HUNTER GREEN   |
| SDNOB-2 | NEXUS OCEAN BLUE     |
| SDNPB-2 | NEXUS PITCH BLACK    |
| SDNSG-2 | NEXUS SAGE GREEN     |

• A Finish Surcharge will be applied to Express Custom Color Sample Doors

## Sales Tools



### MINI BASE SAMPLE

| ITEM   | DESCRIPTION                    |
|--------|--------------------------------|
| GF MBS | BASE SAMPLE 12"W X 21"H X 15"D |

- Available in Allure Galaxy Frost, and Quest Metro Mist finish only.
- Cabinet exposed right side comes pre-finished with a near-flush finished end.



### MOLDING CHAIN

| ITEM       | DESCRIPTION                       |
|------------|-----------------------------------|
| MLK-ALLURE | COMPLETE CHAIN OF ALLURE MOLDINGS |



### COLOR BLOCKS

| ITEM                | DESCRIPTION                            |
|---------------------|--|
| COLOR BLOCK         | BOX OF COLOR BLOCKS                    |
| EXPRESS COLOR BLOCK | BOX OF COLOR BLOCKS FOR EXPRESS COLORS |



### SAMPLE PACKAGES

| ITEM                 | DESCRIPTION                |
|----------------------|----------------------------|
| SMALL SAMPLE PACKAGE | SMALL SAMPLE PACKAGE       |
| DEALER PACKAGE       | LITERATURE AND ACCESSORIES |

#### Small Sample Package:

- Full Set of Small Sample Doors (door is 11-1/2" x 14"H)

#### Dealer Package:

- Full set of Large Sample Doors (includes Door & Drawer Front)
- One of each molding chain for Allure, Quest
- Box of Color Blocks
- Digital Brochure Keychains (Pack of 25)



### DIGITAL BROCHURE

| ITEM                | DESCRIPTION      |
|---------------------|------------------|
| DIGITAL BROCHURE QR | QR CODE KEY RING |

- Pack of 25 Key Rings



### STYLE GUIDE

| ITEM | DESCRIPTION                     |
|------|---------------------------------|
| SG23 | 25PK. 2023 STYLE GUIDE BROCHURE |

- Pack of 25 Style Guides

## Sales Tools



### SELLING CENTER

| ITEM                  | DESCRIPTION                               |
|-----------------------|---|
| DEALER SELLING CENTER | FABUWOOD SELLING CENTER                   |
| ACRYLIC LOGO 38X8     | FABUWOOD ACRYLIC LOGO DISPLAY SIGN 38"X8" |

*Fabuwood Selling Center Display comes with:*

- three (3) Base Cabinets, 12"W x 16"D
- FSC B12 include the following finishes: Illume Catalina Bianco Gloss, Allure Galaxy Nickel, & Quest Discovery Frost
- Full set of Large Sample Doors
- One of each molding chain for Allure, Quest
- Includes one Box set each of Color Blocks and Express Color Blocks
- Digital Brochure Keychains (Pack of 25)
- Pack of 25 Style Guide Brochures
- Acrylic Logo Sign included and available for separate purchase



*Fabuwood Logo Sign:*

- Now available as a stand-alone item for endless display options. Hang our sign amongst a gallery wall of Fabuwood Sample Doors, or pair with a Fabuwood vignette to create a unique Selling Center tailored to your individual showroom style.
- Acrylic sign predrilled with decorative chrome plated standoffs included.

### SAMPLE DOOR STAND

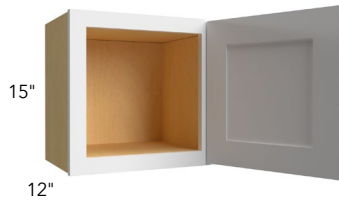
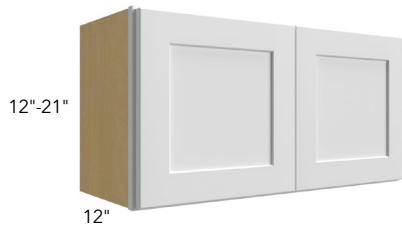
| ITEM              | DESCRIPTION               |
|-------------------|---------------------------|
| SAMPLE DOOR STAND | SAMPLE DOOR DISPLAY STAND |



- Stand can be easily unassembled and re-assembled for storage or portability to trade shows
- Sample Door Display stand can hold up to nine sample doors
- Will accommodate sizing for all door styles



## 12" - 27" High Wall Cabinets

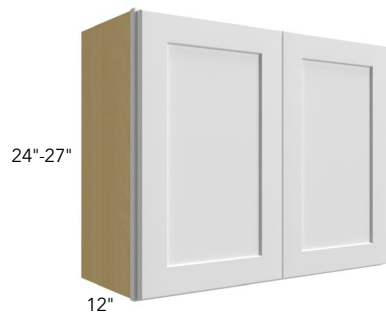


\* *single door cabinet*

### 12" - 21" HIGH

| ITEM     |
|----------|
| W3012    |
| W3312    |
| W3612    |
| * W1215  |
| * W1515  |
| * W1815  |
| * W2115  |
| W2415    |
| W2715    |
| W3015    |
| W3315    |
| W3615    |
| W2418    |
| W3018    |
| W3318    |
| W3618    |
| ** W3021 |

\*\* *Has 1 shelf*



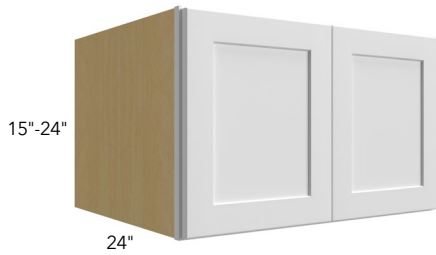
### 24" - 27" HIGH DOUBLE DOOR

| ITEM  |
|-------|
| W2424 |
| W3024 |
| W3324 |
| W3624 |

\* W3027

\* *Discontinued items are available in limited quantities while supplies last.*

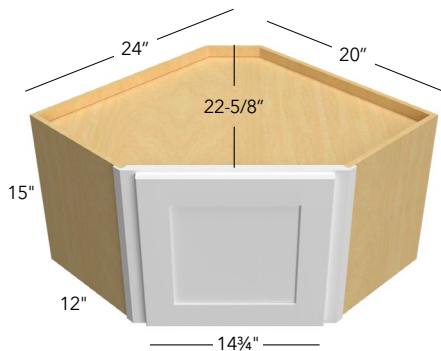
## 12"- 24" High & 24" Deep Wall Cabinets



### 24" DEEP

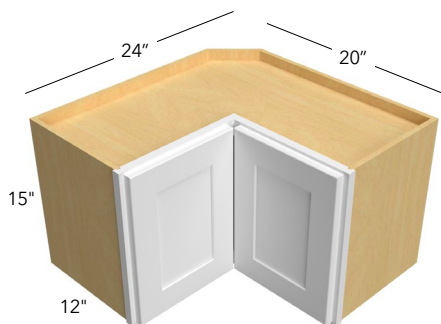
| ITEM      |
|-----------|
| W301524   |
| W301824   |
| * W302424 |
| W331224   |
| W331524   |
| W331824   |
| * W332424 |
| W361224   |
| W361524   |
| W361824   |
| * W362424 |

\* Has 1 shelf



### DIAGONAL CORNER

| ITEM    |
|---------|
| WDC2415 |



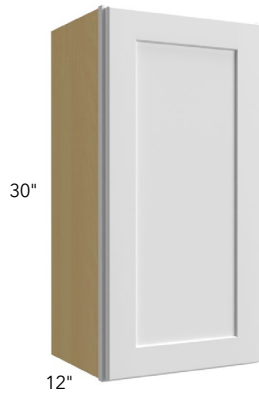
### PIE CUT CORNER

| ITEM    |
|---------|
| WPC2415 |

• Soft close hinge not available

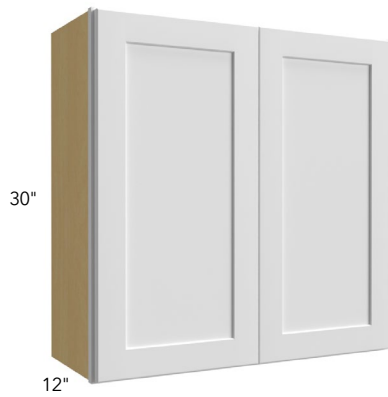


## 30" High Wall Cabinets



### SINGLE DOOR

| ITEM  |
|-------|
| W0930 |
| W1230 |
| W1530 |
| W1830 |
| W2130 |



### DOUBLE DOOR

| ITEM  |
|-------|
| W2430 |
| W2730 |
| W3030 |
| W3330 |
| W3630 |

\* W3930

\* Has 1½" center stile

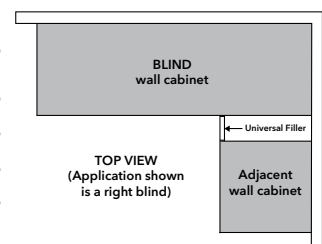


### SINGLE DOOR BLIND

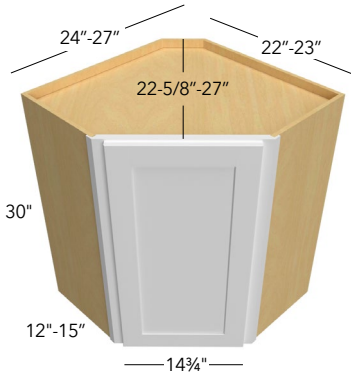
| ITEM    |
|---------|
| WBC2430 |
| WBC3030 |
| WBC3630 |

- Must use filler on adjacent side (not supplied)
- Dimensions are rounded off to closest 1/8"

|         | Act. | Max | Door | Stile | Open<br>(door side) |
|---------|------|-----|------|-------|---------------------|
| WBC2430 | 24"  | 27" | 9½"  | 7"    | 7"                  |
| WBC3030 | 30"  | 33" | 14¾" | 7¾"   | 12¼"                |
| WBC3630 | 36"  | 39" | 21½" | 7"    | 19"                 |



## 30" High Wall Cabinets



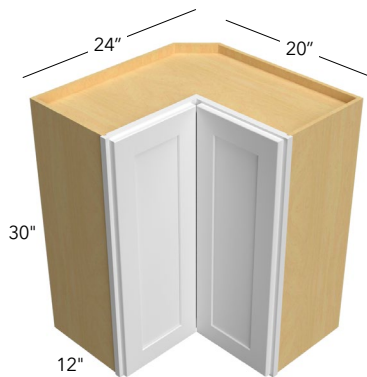
### DIAGONAL CORNER

**ITEM**

WDC2430

\* WDC2730

- \* Cabinet exposed sides come pre-finished with near-flush finished ends.
- For Lazy Susan see accessories on page 57

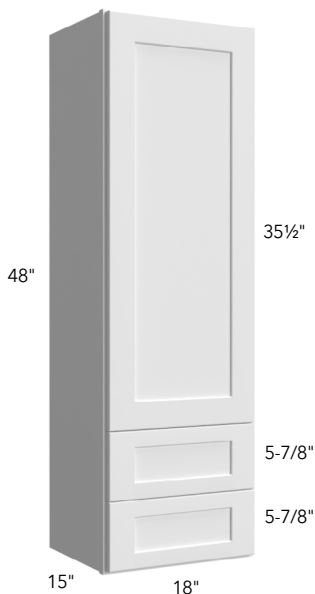


### PIE CUT CORNER

**ITEM**

WPC2430

- Soft close hinge not available



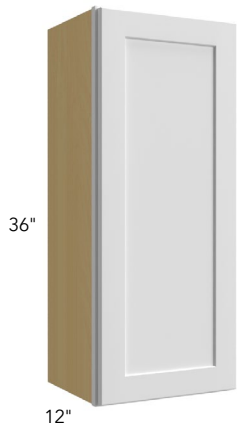
### WALL WITH DRAWERS

**ITEM**

WD1848

- Cabinet exposed sides come pre-finished with near-flush finished ends.

## 36" High Wall Cabinets



### SINGLE DOOR

| ITEM  |
|-------|
| W0936 |
| W1236 |
| W1536 |
| W1836 |
| W2136 |



### DOUBLE DOOR

| ITEM    |
|---------|
| W2436   |
| W2736   |
| W3036   |
| W3336   |
| W3636   |
| * W3936 |

\* Has 1½" center stile

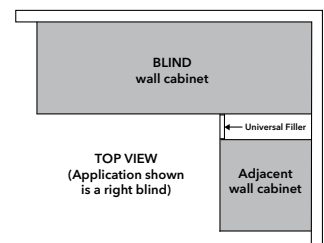


### SINGLE DOOR BLIND

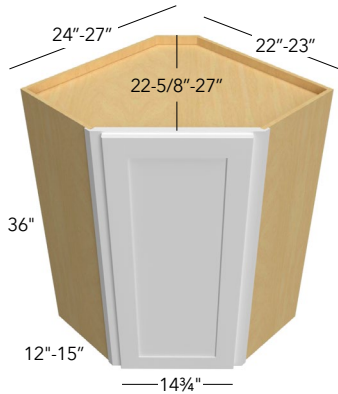
| ITEM    |
|---------|
| WBC2436 |
| WBC3036 |
| WBC3636 |

- Must use filler on adjacent side (not supplied)
- Dimensions are rounded off to closest ¼"

|         | Act. | Max | Door | Stile | Open<br>(door side) |
|---------|------|-----|------|-------|---------------------|
| WBC2436 | 24"  | 27" | 9½"  | 7"    | 7"                  |
| WBC3036 | 30"  | 33" | 14¾" | 7¾"   | 12¼"                |
| WBC3636 | 36"  | 39" | 21½" | 7"    | 19"                 |



## 36" High Wall Cabinets



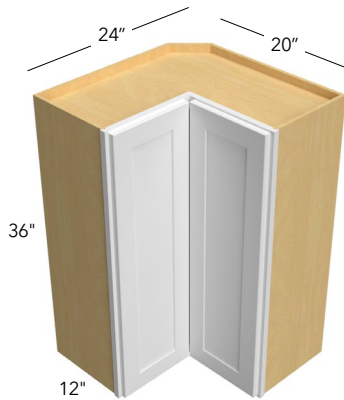
### DIAGONAL CORNER

ITEM

WDC2436

\* WDC2736

- \* Cabinet exposed sides come pre-finished with near-flush finished ends.
- For Lazy Susan see accessories on page 57

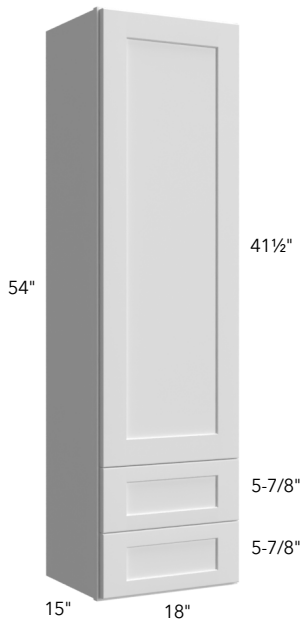


### PIE CUT CORNER

ITEM

WPC2436

- Soft close hinge not available



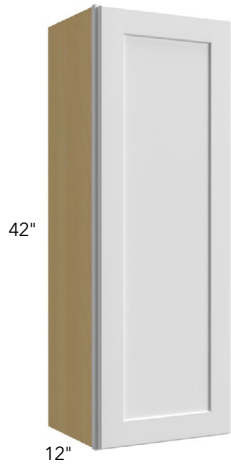
### WALL WITH DRAWERS

ITEM

WD1854

- Cabinet exposed sides come pre-finished with near-flush finished ends.

## 42" High Wall Cabinets



### SINGLE DOOR

| ITEM  |
|-------|
| W0942 |
| W1242 |
| W1542 |
| W1842 |
| W2142 |



### DOUBLE DOOR

| ITEM  |
|-------|
| W2442 |
| W2742 |
| W3042 |
| W3342 |
| W3642 |

\* W3942

\* Has 1½" center stile

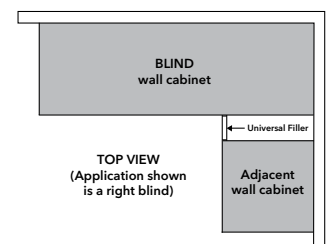


### SINGLE DOOR BLIND

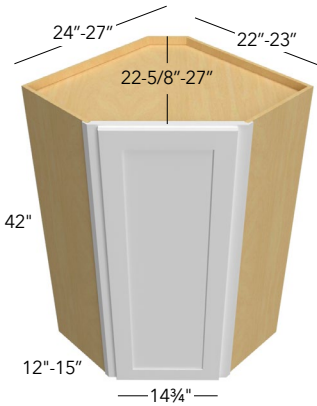
| ITEM    |
|---------|
| WBC2442 |
| WBC3042 |
| WBC3642 |

- Must use filler on adjacent side (not supplied)
- Dimensions are rounded off to closest ¼"

|         | Act. | Max | Door | Stile | Open (door side) |
|---------|------|-----|------|-------|------------------|
| WBC2442 | 24"  | 27" | 9½"  | 7"    | 7"               |
| WBC3042 | 30"  | 33" | 14¾" | 7¾"   | 12¼"             |
| WBC3642 | 36"  | 39" | 21½" | 7"    | 19"              |



## 42" High Wall Cabinets



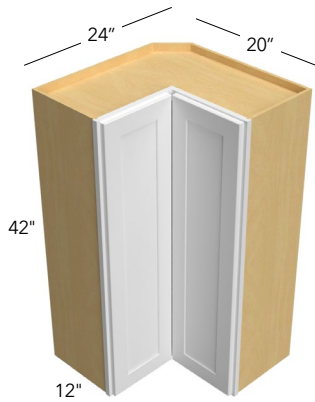
### DIAGONAL CORNER

ITEM

WDC2442

\* WDC2742

- \* Cabinet exposed sides come pre-finished with near-flush finished ends.
- For Lazy Susan see accessories on page 57

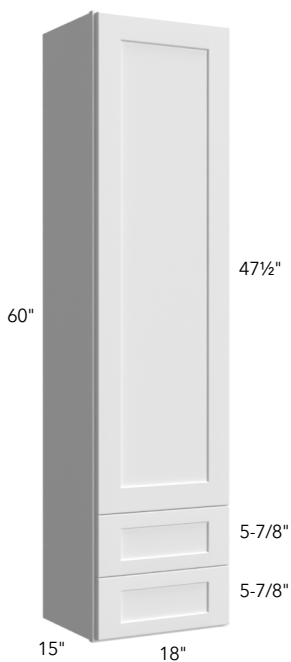


### PIE CUT CORNER

ITEM

WPC2442

- Soft close hinge not available



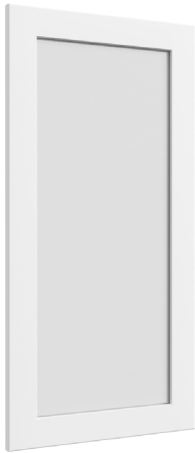
### WALL WITH DRAWERS

ITEM

WD1860

- Cabinet exposed sides come pre-finished with near-flush finished ends.

## Glass Doors



29½"  
35½"  
41½"  
47½"

**GALAXY PROFILE SHOWN**



29½"  
35½"  
41½"  
47½"

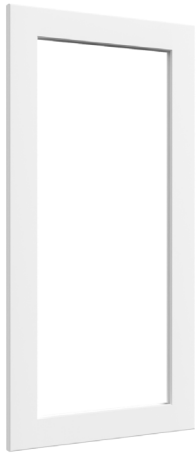
**LUNA PROFILE SHOWN**

### GLASS DOOR (CLEAR GLASS ONLY)

| ITEM      |
|-----------|
| GDW1530   |
| GDW1536   |
| GDW1542   |
| GDW1830   |
| GDW1836   |
| GDW1842   |
| * GDW2430 |
| * GDW2436 |
| * GDW2442 |
| * GDW3030 |
| * GDW3036 |
| * GDW3042 |
| * GDW3630 |
| * GDW3636 |
| * GDW3642 |
| GDWD1860  |
| GDWDC2430 |
| GDWDC2436 |
| GDWDC2442 |

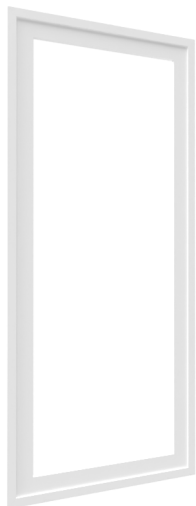
- Glass doors are pre-installed with clear glass only.
- \* Cost is for a single door, need to order quantity of 2 doors per cabinet

## Doors Prepped for Glass



29½"  
35½"  
41½"  
47½"

**GALAXY PROFILE SHOWN**



29½"  
35½"  
41½"  
47½"

**LUNA PROFILE SHOWN**

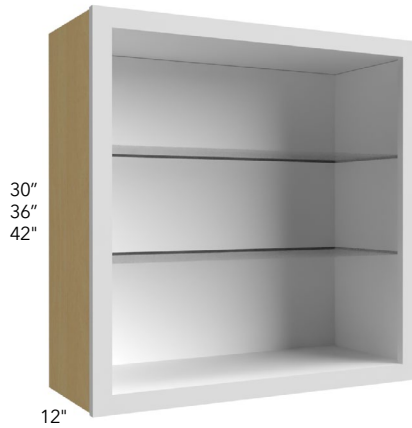
### DOOR PREPPED FOR GLASS

| ITEM      |
|-----------|
| DFG1530   |
| DFG1536   |
| DFG1542   |
| DFG1830   |
| DFG1836   |
| DFG1842   |
| * DFG2430 |
| * DFG2436 |
| * DFG2442 |
| * DFG3030 |
| * DFG3036 |
| * DFG3042 |
| * DFG3630 |
| * DFG3636 |
| * DFG3642 |
| DFGWD1860 |

- Glass not included
- Comes with the center panel removed; vinyl gasket is included for easy installation of glass in the field.
- \* Cost is for a single door, need to order quantity of 2 doors per cabinet



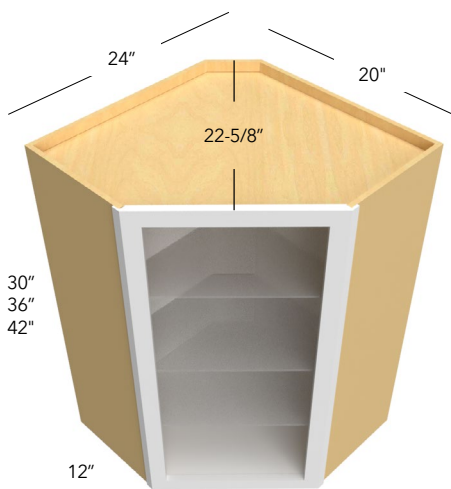
## Specialty Wall Cabinets



### NO DOOR

| ITEM      |
|-----------|
| NDW1530   |
| NDW1830   |
| NDW2430   |
| NDW3030   |
| NDW3630   |
| * NDW1536 |
| * NDW1836 |
| * NDW2436 |
| * NDW3036 |
| * NDW3636 |
| * NDW1542 |
| * NDW1842 |
| * NDW2442 |
| * NDW3042 |
| * NDW3642 |

- Door not included in price. Designed to use with glass doors. See glass doors listed on pg. 9
- Has hinges installed
- Cabinet comes pre-drilled for hinges. Fabuwood can fill up hinge holes for additional charge.
- Finished interior to match color of frame
- Adjustable 1/4" thick tempered glass shelves
- Increased or decreased depth cabinets will come with matching interior wood shelves instead of glass shelves.
- \* Has three shelves

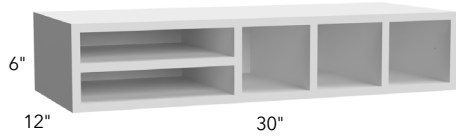


### DIAGONAL CORNER NO DOOR

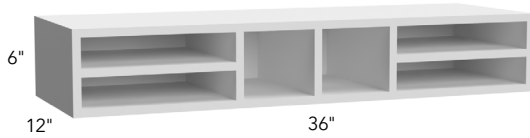
| ITEM        |
|-------------|
| NDWDC2430   |
| * NDWDC2436 |
| * NDWDC2442 |

- Door not included. Designed to use with glass doors. See glass doors listed on pg. #9
- Cabinet comes pre-drilled for hinges. Fabuwood can fill up hinge holes for additional charge.
- Finished interior
- Adjustable 1/4" thick tempered glass shelves
- Increased or decreased depth cabinets will come with matching interior wood shelves instead of glass shelves.
- \* Has three shelves

## Specialty Wall Cabinets



6"  
12" 30"



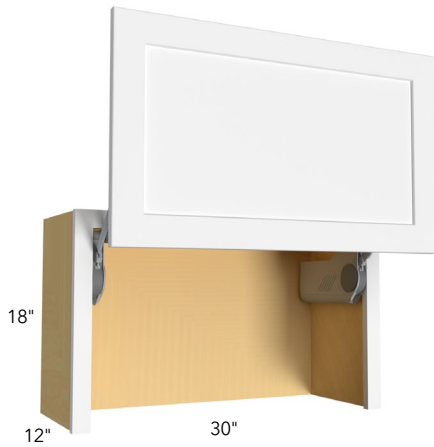
6"  
12" 36"

### WALL ORGANIZER

| ITEM  |
|-------|
| WO306 |
| WO366 |

- Veneer plywood with edge banding
- Finished Interior & Exterior

**NOTE:** Wall Organizer shelves by default will have visible screws on sides, top & bottom of cabinet. Modification is available for flush sides

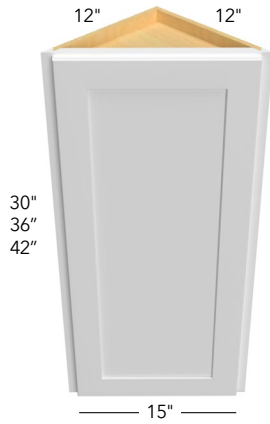


18"  
12" 30"

### WALL APPLIANCE

| ITEM    |
|---------|
| WAC3018 |

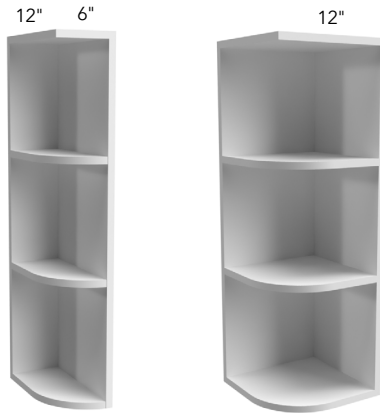
## Specialty Wall Cabinets



### ANGLE END

| ITEM      |
|-----------|
| WAE1230   |
| * WAE1236 |
| * WAE1242 |

- Can use with one GDW3030/GDW3036/GDW3042 Glass Door. Requires 1" overlay hinges (ordered separately)
- Adjustable shelves
- \* Has three shelves



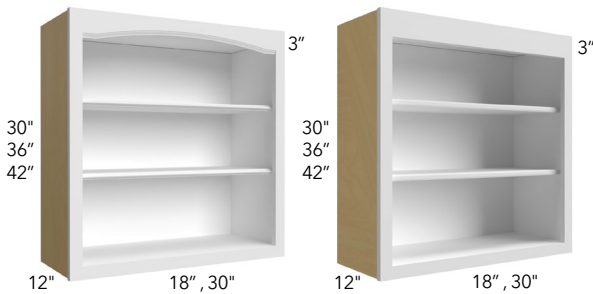
### OPEN END

| ITEM     |
|----------|
| OEL630   |
| OEL636   |
| * OEL642 |
| OER630   |
| OER636   |
| * OER642 |
| OE1230   |
| OE1236   |
| * OE1242 |

- \* Has three shelves
- \* For Square Bottom Shelf, see modifications available on pg.85

**OEL6 SHOWN  
(OPENS TO LEFT SIDE)**

**NOTE:** Open End Shelves will have visible screws on backs/sides of cabinet, as they are intended to be installed against two walls, or a wall and adjacent cabinet.



### OPEN SHELF

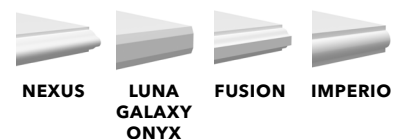
| ITEM      |
|-----------|
| WOS1830   |
| * WOS1836 |
| * WOS1842 |
| WOS3030   |
| * WOS3036 |
| * WOS3042 |

**NEXUS**

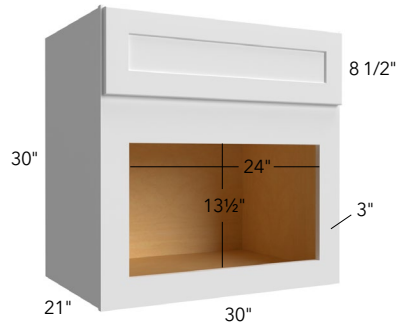
**LUNA, GALAXY, FUSION,  
ONYX & IMPERIO**

- \* Has three shelves
- Finished interior
- NEXUS: Arch valance
- Top rail & shelf frontmatches door profile
- Adjustable shelves
- Increased depth cabinets will not have edge profile

Edge on shelves:



## Microwave Wall Cabinets

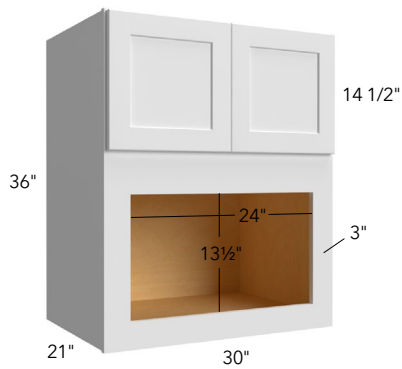


### 30" MICROWAVE

#### ITEM

MC303021

- Cabinet exposed sides come pre-finished with near-flush finished ends.
- 3" Wide rails face frame to be trimmed on site
- Minimum Width opening 24"
- Maximum **cut out** width 28½"
- Minimum Height opening 13"
- Maximum **cut out** height is 19 3/4"
- Maximum **overall** trim kit height 21"
- Lift-up door

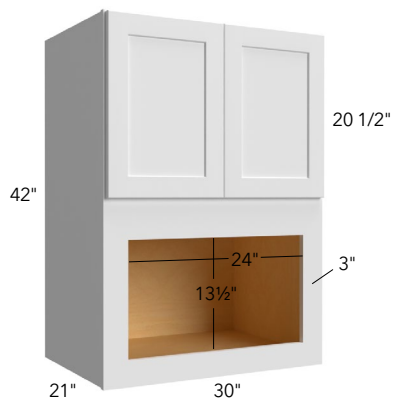


### 36" MICROWAVE

#### ITEM

MC303621

- Cabinet exposed sides come pre-finished with near-flush finished ends.
- 3" Wide rails face frame to be trimmed on site
- Minimum width opening 24"
- Maximum **cut out** width 28½"
- Minimum Height opening 13"
- Maximum **cut out** height is 19 3/4"
- Maximum **overall** trim kit height 21"



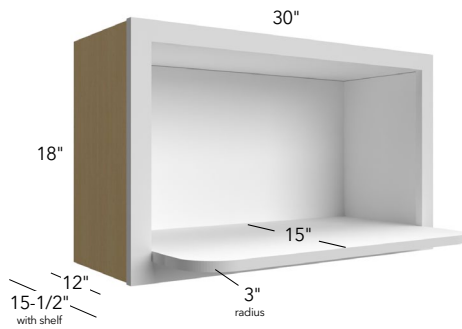
### 42" MICROWAVE

#### ITEM

MC304221

- Cabinet exposed sides come pre-finished with near-flush finished ends.
- 3" Wide rails face frame to be trimmed on site
- Minimum Width opening 24"
- Maximum **cut out** width 28½"
- Minimum Height opening 13"
- Maximum **cut out** height is 19 3/4"
- Maximum **overall** trim kit height 21"

## Microwave Wall Cabinets



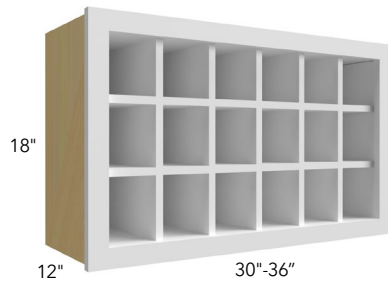
### 18" MICROWAVE WITH SHELF

| ITEM   |
|--------|
| MW3018 |

- 18" high Microwave Wall Cabinet with 15" deep extended shelf
- Extended shelf has rounded edges with a 3" radius
- Extended shelf ships loose from cabinet; to be installed on site

**NOTE:** This cabinet receives the modification **FILL HINGE-SEAM**. Modification is added at no charge for MW3018. Hinge holes on Face Frame are filled with touch-up. Seam may be slightly visible.

## Wine Cabinets



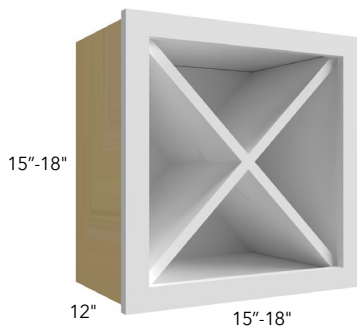
### WINE RACK

#### ITEM

\* WR3018

\*\* WR3618

- Finished interior
- 1-½" Framed cabinet construction
- Exterior has 3/4" recess from face frame (all around)
- Interior has 1/4" recess from face frame (all around)
- \* Fits 18 bottles
- \*\* Fits 21 bottles



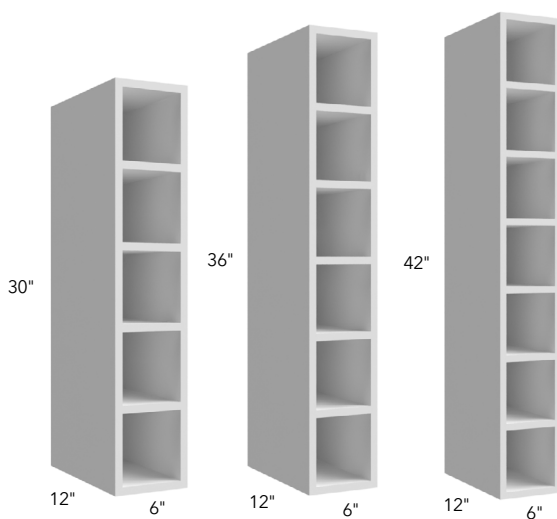
### WINE RACK

#### ITEM

WR15X15

WR18X18

- Finished Interior
- 1-½" Framed cabinet construction
- Exterior has 3/4" recess from face frame (all around)
- Interior has 1/4" recess from face frame (all around)



### WINE CUBE

#### ITEM

WC0630

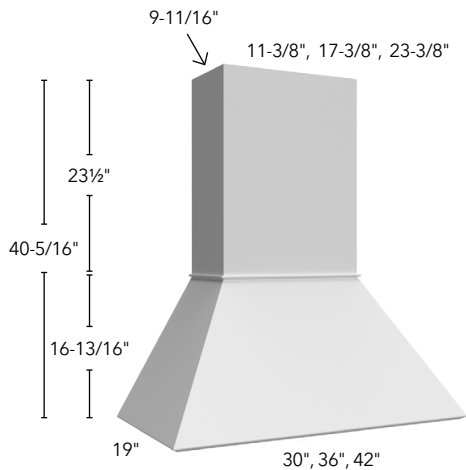
WC0636

WC0642

- Veneer plywood with edge banding
- Finished Interior & Exterior
- Frameless construction

**NOTE:** Wine Cubes by default will have visible screws on the exposed sides. Finished Ends may be requested at the time of ordering to have screws concealed. Modification is available for Flush Wall Bottom.

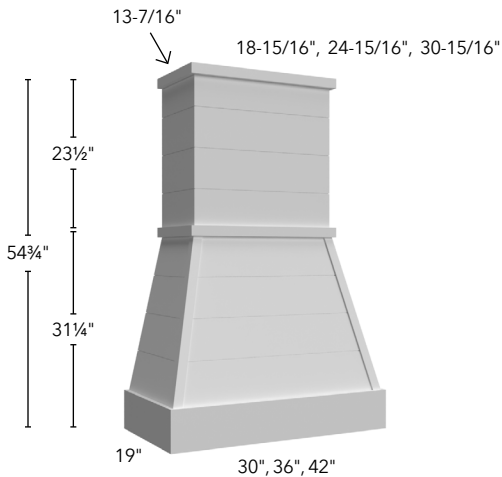
## Euro & Farmhouse Hoods



### EURO HOOD

| ITEM         |
|--------------|
| RHE30        |
| RHE36        |
| RHE42        |
| RHE30 TIMBER |
| RHE36 TIMBER |
| RHE42 TIMBER |

- Includes Stainless Steel Hood Liner (liner is user removable)
- Chimney is removable & trimmable on site (refer to assembly and installation instructions for more details)
- Modifications are not available for this item
- Liner specifications found on pg. 21
- Stainless Steel Liner is compatible with any of Fabuwood's Broan NuTone Ventilation Inserts. Please see pg. 24 for available options.

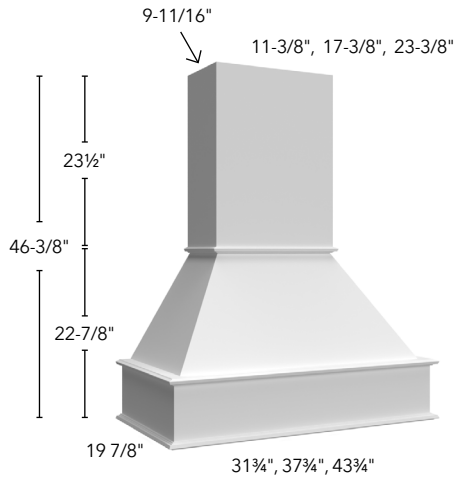


### FARMHOUSE HOOD

| ITEM         |
|--------------|
| RHF30        |
| RHF36        |
| RHF42        |
| RHF30 TIMBER |
| RHF36 TIMBER |
| RHF42 TIMBER |

- Includes Stainless Steel Hood Liner (liner is to be installed after hood is mounted on wall)
- Chimney is removable & trimmable on site (refer to assembly and installation instructions for more details)
- Modifications are not available for this item
- Liner specifications found on pg. 22
- Stainless Steel Liner is compatible with any of Fabuwood's Broan NuTone Ventilation Inserts. Please see pg. 24 for available options.

## Signature Hoods



### SIGNATURE HOOD

| ITEM |
|------|
|------|

|       |
|-------|
| RHS30 |
|-------|

|       |
|-------|
| RHS36 |
|-------|

|       |
|-------|
| RHS42 |
|-------|

|              |
|--------------|
| RHS30 TIMBER |
|--------------|

|              |
|--------------|
| RHS36 TIMBER |
|--------------|

|              |
|--------------|
| RHS42 TIMBER |
|--------------|

- Includes Full Interior Stainless Steel Liner (liner is user removable)
- Chimney is removable & trimmable on site (refer to assembly and installation instructions for more details)
- Modifications are not available for this item
- Liner specifications found on pg. 22
- Stainless Steel Liner is compatible with any of Fabuwood's Broan NuTone Ventilation Inserts. Please see pg. 24 for available options.



### SIGNATURE HOOD - WALNUT

| ITEM |
|------|
|------|

|              |
|--------------|
| RHS30 WALNUT |
|--------------|

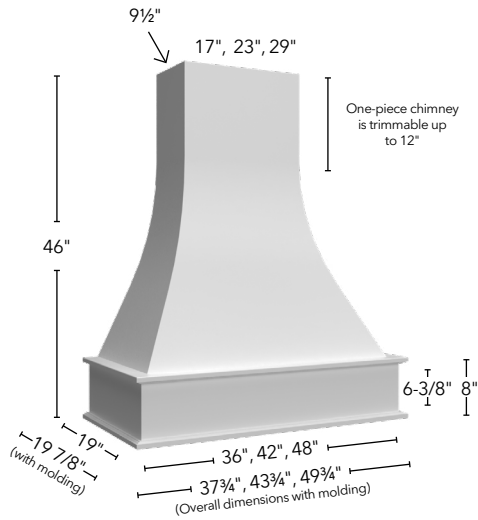
|              |
|--------------|
| RHS36 WALNUT |
|--------------|

|              |
|--------------|
| RHS42 WALNUT |
|--------------|

- Includes Full Interior Stainless Steel Liner (liner is user removable)
- Chimney is removable & trimmable on site (refer to assembly and installation instructions for more details)
- Modifications are not available for this item
- Liner specifications found on pg. 22
- Stainless Steel Liner is compatible with any of Fabuwood's Broan NuTone Ventilation Inserts. Please see pg. 24 for available options.



## Curved Artisan Hoods



### CURVED ARTISAN HOOD

#### ITEM

RHCA36

RHCA42

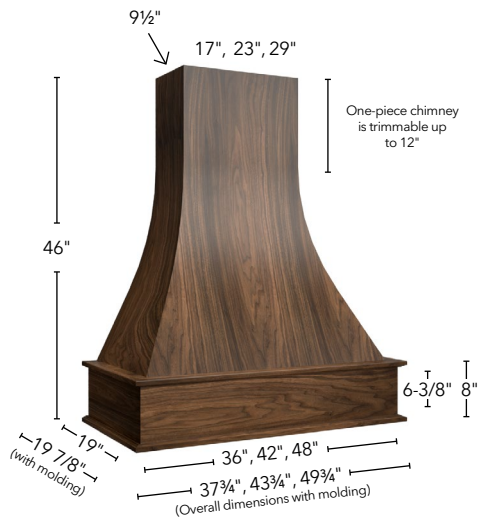
RHCA48

RHCA36 TIMBER

RHCA42 TIMBER

RHCA48 TIMBER

- Includes Full Interior Stainless Steel Liner (liner is user removable)
- One-Piece Chimney is trimmable on site up to 12" (refer to assembly and installation instructions for more details)
- Modifications are not available for this item
- Liner specifications found on pg. 22
- Stainless Steel Liner is compatible with any of Fabuwood's Broan NuTone Ventilation Inserts. Please see pg. 24 for available options.



### CURVED ARTISAN HOOD - WALNUT

#### ITEM

RHCA36 WALNUT

RHCA42 WALNUT

RHCA48 WALNUT

- Includes Full Interior Stainless Steel Liner (liner is user removable)
- One-Piece Chimney is trimmable on site up to 12" (refer to assembly and installation instructions for more details)
- Modifications are not available for this item
- Liner specifications found on pg. 22
- Stainless Steel Liner is compatible with any of Fabuwood's Broan NuTone Ventilation Inserts. Please see pg. 24 for available options.

## Arched Hoods

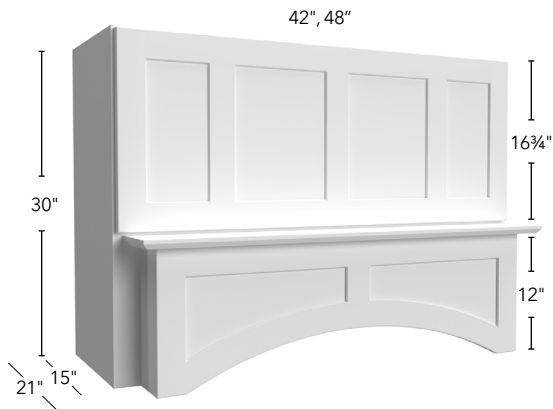


### 3 PANEL ARCHED HOOD

**ITEM**

RHA363021

- Not available in Luna
- Arched valance profile coordinates with that of door style
- Top panel lifts up
- Sides are flush finished ends
- Crown to be installed above cabinet, not on face frame
- Hood depth can be increased or decreased (contact Custom Quotes for pricing)
- Includes Full Interior Stainless Steel Hood Liner (liner is user removable)
- Liner specifications found on pg. 23
- Stainless Steel Liner is compatible with any of Fabuwood's Broan NuTone Ventilation Inserts. Please see pg. 24 for available options.



### 4 PANEL ARCHED HOOD

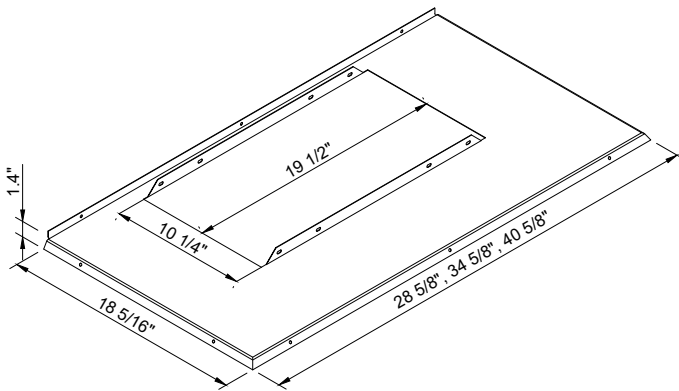
**ITEM**

RHA423021

RHA483021

- Not available in Luna
- Arched valance profile coordinates with that of door style
- Top panel lifts up
- Sides are flush finished ends
- Crown to be installed above cabinet, not on face frame
- Hood depth can be increased or decreased (contact Custom Quotes for pricing)
- Includes Full Interior Stainless Steel Hood Liner (liner is user removable)
- Liner specifications found on pg. 23
- Stainless Steel Liner is compatible with any of Fabuwood's Broan NuTone Ventilation Inserts. Please see pg. 24 for available options.

## Hood Liner Specifications



### EURO HOOD LINER

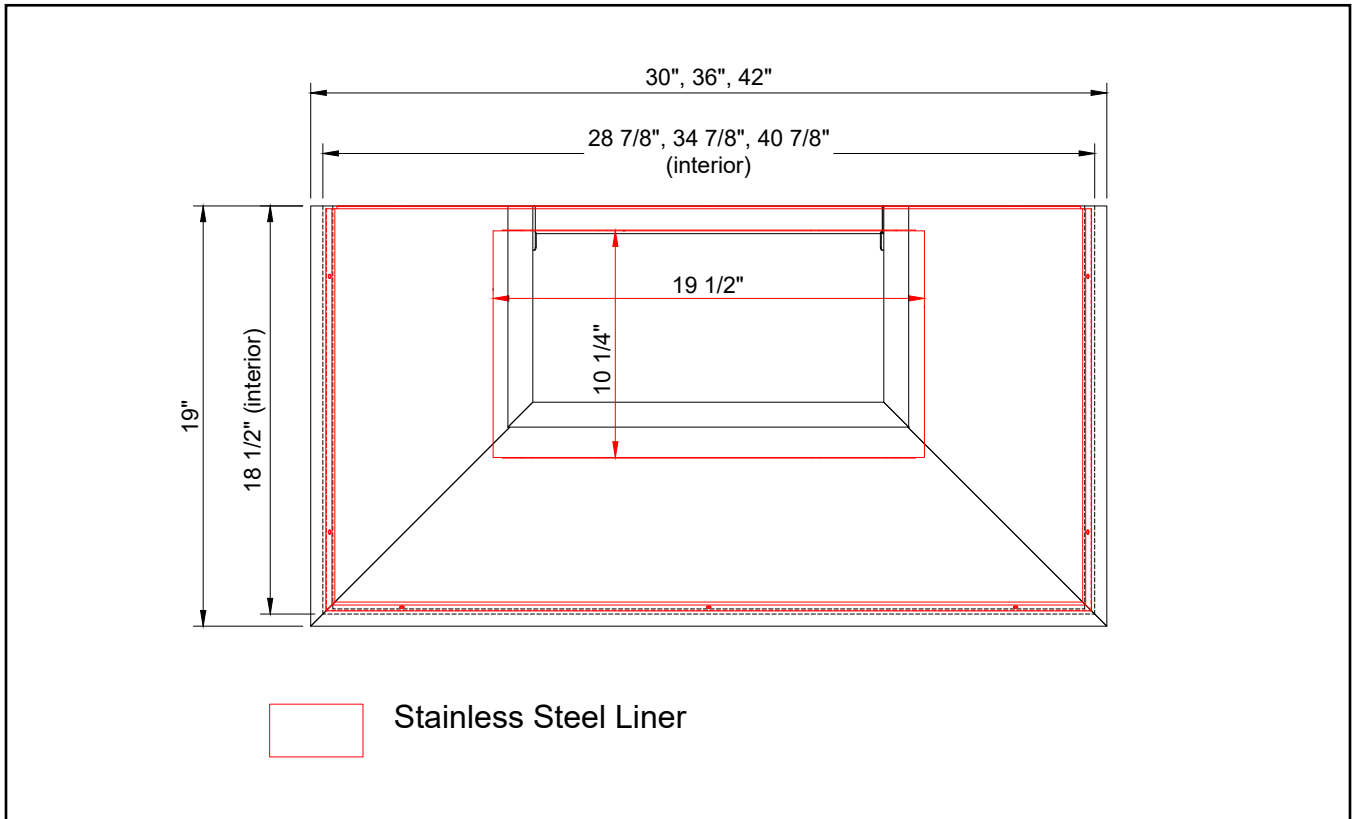
| ITEM             |
|------------------|
| HOOD LINER-RHE30 |
| HOOD LINER-RHE36 |
| HOOD LINER-RHE42 |

- Liner is included as a standard on Allure Euro Hoods (hood will ship with liner pre-installed)
- Blower is **NOT** included, must be purchased separately by other
- Blowers that fit this liner:  
 Broan / Model PM300SS  
 Broan / Model PM400SS  
 Broan / Model PM600SSV  
 Best / Model P195P1M52SB6\*  
 XO / Model XO121SMUA\*  
 XO / Model XO122SC\*  
 Zephyr / Model AK8400BS\*  
 Zephyr / Model AK8400BS290\*

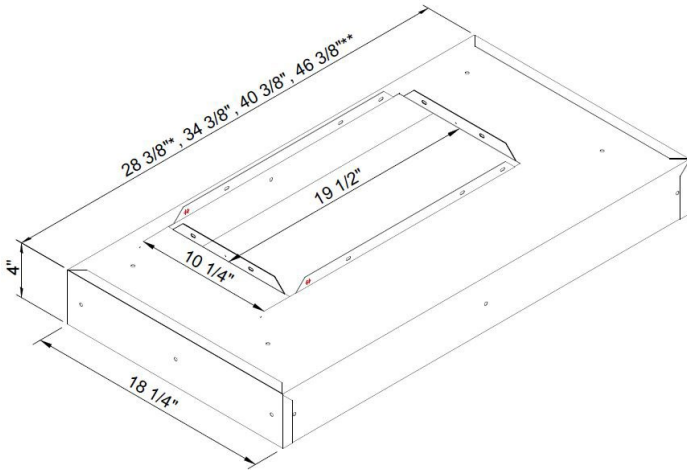
*NOTE: Starred blowers are not compatible with 30" Hood Liners*

*MODELS LISTED ARE RECOMMENDATIONS ONLY; Fabuwood takes no responsibility for the selection of blower. Dealer is responsible for specifying and recommended to consult with an appliance dealer to select compatible blower options based on their individual cooking appliance needs and manufacturer specifications.*

### CONSTRUCTION DETAILS:



## Hood Liner Specifications



### FARMHOUSE/SIGNATURE/ARTISAN HOOD LINER

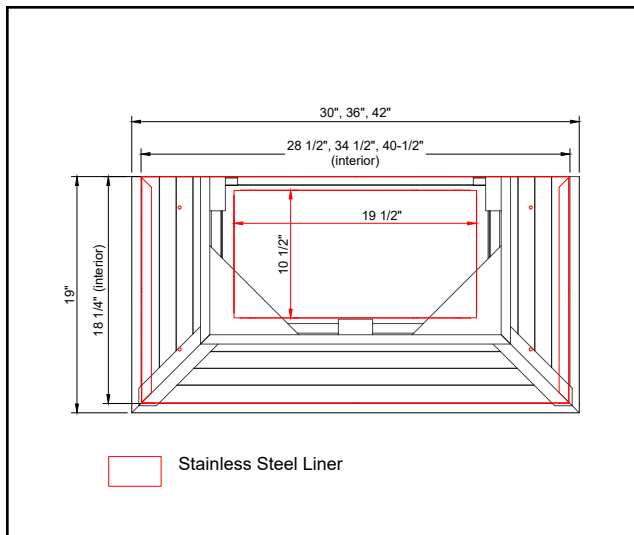
| ITEM                    |
|-------------------------|
| * HOOD LINER-RHA/F/S30  |
| HOOD LINER-RHA/F/S36    |
| HOOD LINER-RHA/F/S42    |
| ** HOOD LINER-RHA/F/S48 |

- Liner is included as a standard on Allure Farmhouse, Signature & Curved Artisan Hoods (hood will ship with liner to be installed on site)
- \* 30" liners for Farmhouse & Signature Hoods Only
- \*\* 48" liner is available for Curved Artisan Only
- Blower is **NOT** included, must be purchased separately by other
- Blowers that fit this liner:
  - Broan / Model PM300SS
  - Broan / Model PM400SS
  - Broan / Model PM600SSV
  - Best / Model P195P1M52SB6\*
  - XO / Model XO121SMUA\*
  - XO / Model XO122SC\*
  - Zephyr / Model AK8400BS\*
  - Zephyr / Model AK8400BS290\*

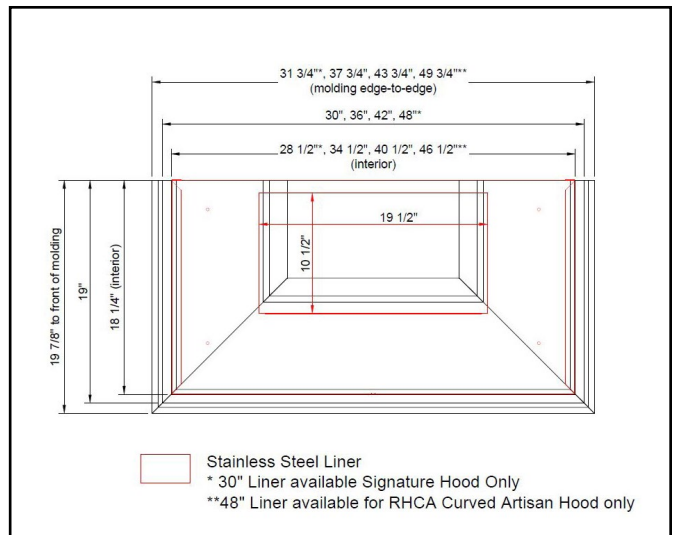
**NOTE:** Starred blowers are not compatible with 30" Hood Liners

**MODELS LISTED ARE RECOMMENDATIONS ONLY;** Fabuwood takes no responsibility for the selection of blower. Dealer is responsible for specifying and recommended to consult with an appliance dealer to select compatible blower options based on their individual cooking appliance needs and manufacturer specifications.

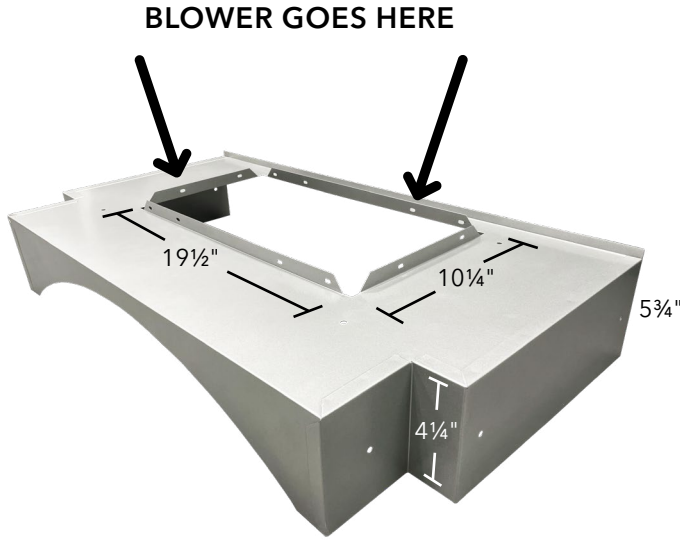
### FARMHOUSE CONSTRUCTION DETAILS:



### SIGNATURE/CURVED ARTISAN CONSTRUCTION DETAILS:



## Hood Liner Specifications



### ARCHED HOOD LINER

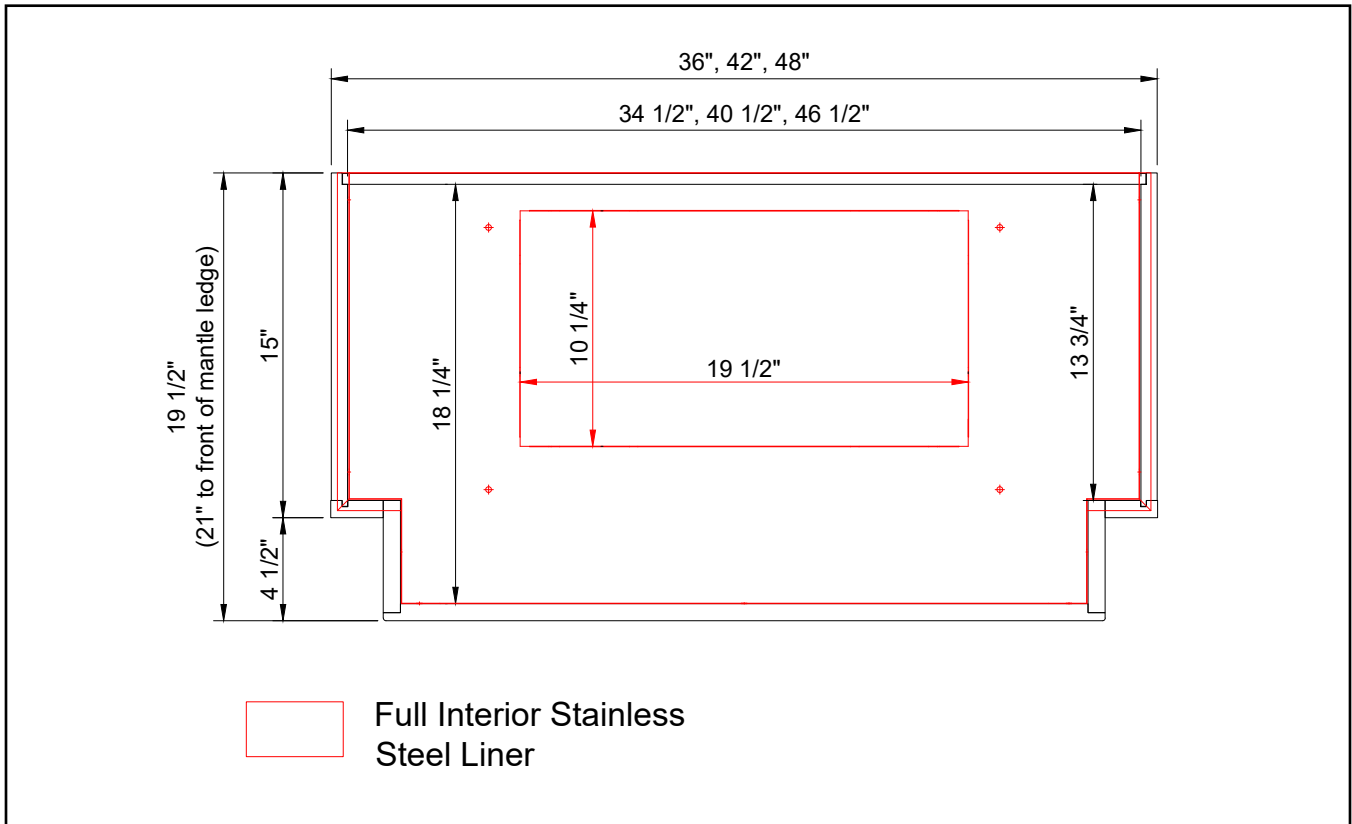
| ITEM                 |
|----------------------|
| HOOD LINER-RHA363021 |
| HOOD LINER-RHA423021 |
| HOOD LINER-RHA483021 |

- Liner is included as a standard on Allure Arched Hoods (hood will ship with liner preinstalled)
- Blower is **NOT** included, must be purchased separately by other
- Blowers that fit this liner:  
 Broan / Model PM300SS  
 Broan / Model PM400SS  
 Broan / Model PM600SSV  
 Best / Model P195P1M52SB6  
 XO / Model XO121SMUA  
 XO / Model XO122SC\*  
 Zephyr / Model AK8400BS\*  
 Zephyr / Model AK8400BS290\*

**NOTE:** Starred blowers are not compatible with 30" Hood Liners

**MODELS LISTED ARE RECOMMENDATIONS ONLY;** Fabuwood takes no responsibility for the selection of blower. Dealer is responsible for specifying and recommended to consult with an appliance dealer to select compatible blower options based on their individual cooking appliance needs and manufacturer specifications.

### CONSTRUCTION DETAILS:



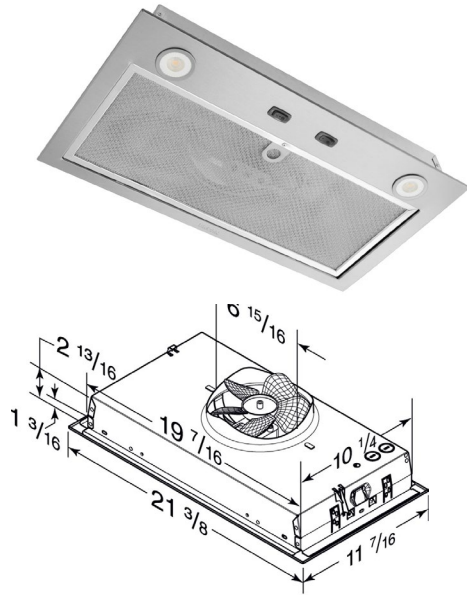


## Hood Ventilation Systems

### 250 CFM STAINLESS VENTILATOR

#### ITEM

RHBB 250 CFM



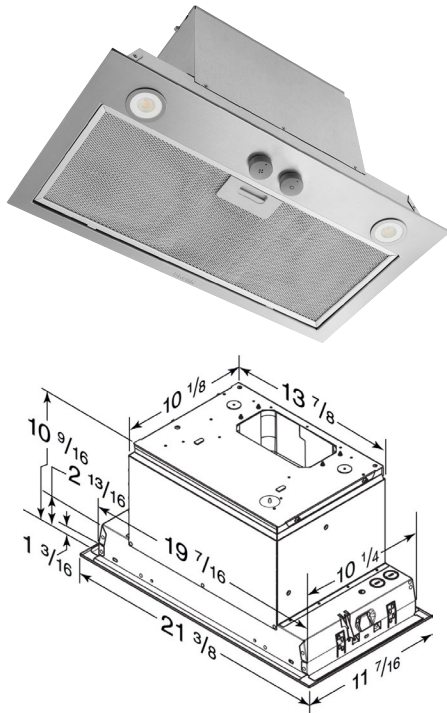
- Works with Fabuwood Stainless Steel Interior Hood Liners
- Available for all Fabuwood Allure Wood Hoods except RHA483021
- Efficient 300 Max Blower CFM operates at 3 zones at normal speed
- Bright 1-level, heat resistant LED modules enhance your cooking experience.
- 2-Speed rocker controls operate the fan speeds
- Easy-to-clean, fully enclosed bottom with dishwasher-safe aluminum mesh filter
- ADA compliant, remote operation is possible using a standard UL approved wall switch. Requires ADA adapter kit, HAWSK3 (sold separately, contact Customer Service Team to request Custom Accessory)
- Optional non-duct recirculation kit (RHBB DCT) and filters (RHBB FLTR) available for indoor exhaust recirculation to suit your needs.
- Comes with Broan-NuTone one (1) year Limited Warranty. Refer to installation guide for full details.

**NOTE:** Dealers should refer to the Heating Appliance Manufacturer's Specifications for individual ventilation requirements. Fabuwood is not responsible for improper blower selection or installation.

### 400 CFM STAINLESS VENTILATOR

#### ITEM

RHBB 400 CFM

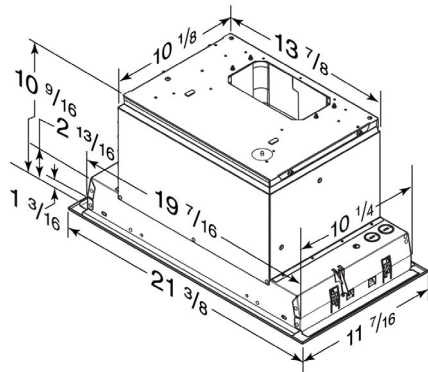


- Works with Fabuwood Stainless Steel Interior Hood Liners.
- Available for all Fabuwood Allure wood Hoods
- Powerful 450 MAX Blower CFM operates at 1 zone at normal speed.
- Bright 1-level, heat resistant LED modules enhance your cooking experience.
- Up-front 3-Speed rotary controls makes operation easy.
- Dishwasher-safe aluminum mesh filters feature quick-release latch for easy removal.
- ENERGY STAR certified custom range hood insert.
- Optional non-duct recirculation kit (RHBB DCT) and filters (RHBB FLTR) available for indoor exhaust recirculation to suit your needs.
- Comes with Broan-NuTone one (1) year Limited Warranty. Refer to installation guide for full details.

**NOTE:** Dealers should refer to the Heating Appliance Manufacturer's Specifications for individual ventilation requirements. Fabuwood is not responsible for improper blower selection or installation.



## Hood Ventilation Systems



### 600 CFM STAINLESS VENTILATOR

#### ITEM

RHBB 600 CFM

- Works with Fabuwood Stainless Steel Interior Hood Liners.
- Available for all Fabuwood Allure wood Hoods
- Broan® SmartSense® Auto Operation adjusts the fan speed based on the heat coming from your range so you never have to worry about adjusting the speed while cooking.
- Powerful 650 Max Blower CFM and Ultra-quiet 0.5 sone at normal speed.
- WiFi connectivity enables hands-free operation with voice activation using Alexa or Google Assistant.
- 4-Speed back-lit soft touch control features a smooth, easy-to-clean surface
- Bright 2-level, heat resistant LED modules enhance your cooking experience
- Dishwasher-safe hybrid baffle filter offers superior grease capture.
- Code Ready Technology adjusts CFM down to 300 to meet make-up air codes.
- ADA compliant, remote operation is possible using a standard UL approved wall switch. Requires ADA adapter kit, HAWRK5 (sold separately, contact Customer Service Team to request Custom Accessory)
- Optional non-duct recirculation kit (RHBB DCT) and filters available for indoor exhaust recirculation to suit your needs.
- Comes with Broan-NuTone one (1) year Limited Warranty. Refer to installation guide for full details.

**NOTE:** Dealers should refer to the Heating Appliance Manufacturer's Specifications for individual ventilation requirements. Fabuwood is not responsible for improper blower selection or installation.



### INTERIOR DUCTWORK KIT

#### ITEM

RHBB DCT

- For ductless application of Broan® RHBB Blower Inserts
- Provides use of an insert in an application where it is not feasible to duct a range hood to an external location
- Includes a RHBB FLTR charcoal filter, a soffit grille, a 90-degree stack boot, a 7 in. round duct and a 6 in. to 7 in round transition
- Use with RHBB FLTR replacement charcoal filter
- Refer to the Installation Guide provided with your range hood for proper installation and maintenance

**NOTE:** Fabuwood recommends that all hoods be vented to the outside - consult local building codes & Heating Appliance requirements prior to ordering.

### REPLACEMENT CHARCOAL FILTER

#### ITEM

RHBB FLTR

- Replacement Charcoal Filter for RHBB DCT Interior Non-Ducted Recirculation Kit

## Base Cabinets



### FULL HEIGHT SINGLE DOOR

| ITEM    |
|---------|
| * B09FD |
| B12FD   |
| B15FD   |
| B18FD   |
| B21FD   |

- \* Does not have a shelf
- \* B09 accessories available on pg. 54
- Trash Can available on pg. 52
- Peninsula modification available on pg. 66
- Roll Out available on pg. 53



### FULL HEIGHT DOUBLE DOOR

| ITEM  |
|-------|
| B24FD |
| B27FD |
| B30FD |
| B33FD |
| B36FD |
| B39FD |

- \* Comes with 1-1/2" wide center stile
- Peninsula modification available on pg. 66
- Roll Out available on pg. 53



### SINGLE DOOR

| ITEM |
|------|
| B12  |
| B15  |
| B18  |
| B21  |

- \* Has a full height door without a drawer and shelf
- \* B09 accessories available on pg. 54
- Trash Can available on pg. 52
- Cutlery Divider available on pg. 63
- Peninsula modification available on pg. 66
- Roll Out available on pg. 53



## Base Cabinets



### DOUBLE DOOR

**ITEM**

B24

B27

B30

- *Cutlery Divider available on pg. 63*
- *Peninsula modification available on pg. 66*
- *Roll Out available on pg. 53*



### DOUBLE DOOR & DRAWER

**ITEM**

B33

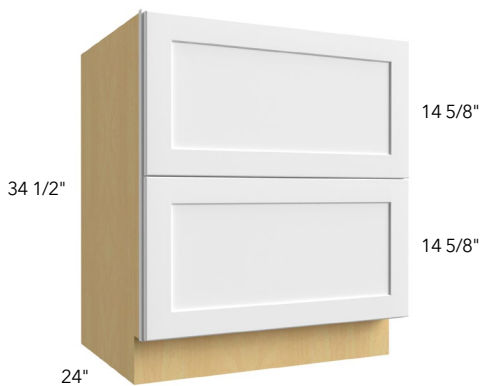
B36

\* B39

\* B42

\* B48

- \* *Has 3" center stile*
- *Cutlery Divider available on pg. 60*
- *Roll Out available on pg. 53*



### 2 DRAWER

**ITEM**

DB30-2

DB36-2

## Base Cabinets



### 3 DRAWER

| ITEM |
|------|
| DB12 |
| DB15 |
| DB18 |
| DB21 |
| DB24 |
| DB27 |
| DB30 |
| DB33 |
| DB36 |

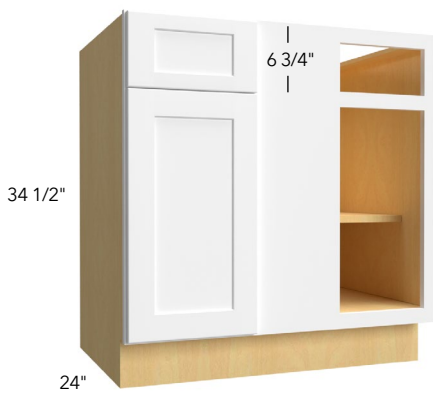
- *Cutlery Divider available on pg. 63*



### 4 DRAWER

| ITEM   |
|--------|
| DB15-4 |
| DB18-4 |
| DB21-4 |

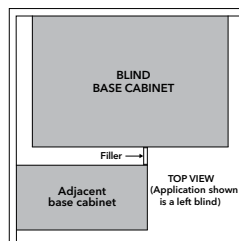
- *Cutlery Divider available on pg. 60*



### BLIND

| ITEM     |
|----------|
| BLB36/39 |
| BLB39/42 |
| BLB42/45 |
| BLB48/51 |

- *Must use filler on adjacent wall (not supplied)*
- *Measurements are rounded off to closest 1/8"*



|          | Act. | Min. | Max | Door    | Stile   | Open    |
|----------|------|------|-----|---------|---------|---------|
| BLB36/39 | 27"  | 36"  | 39" | 9 3/4"  | 9 1/2"  | 7 1/4"  |
| BLB39/42 | 33"  | 39"  | 42" | 12 3/8" | 10 1/4" | 9 7/8"  |
| BLB42/45 | 39"  | 42"  | 45" | 15 3/8" | 10 1/4" | 12 7/8" |
| BLB48/51 | 48"  | 48"  | 51" | 21 3/8" | 7 3/8"  | 18 3/4" |

## Base Cabinets



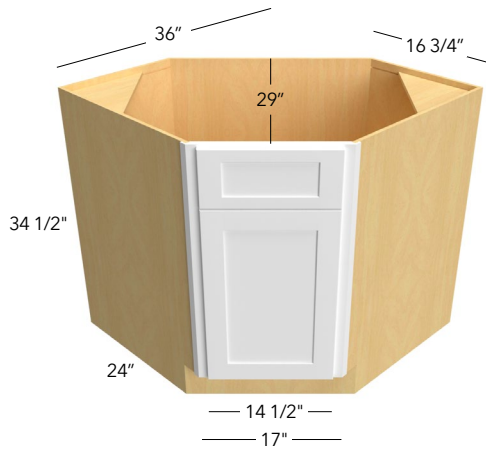
### DIAGONAL SINK FRONT

**ITEM**

\* DSF36

\*\* DSFL36

- \* DSF36 The sink front has a 17" face dimension
- \*\* DSFL36 The floor must be ordered separately
- Uses 3/8" overlay hinge
- Tilt Out available on pg. 59



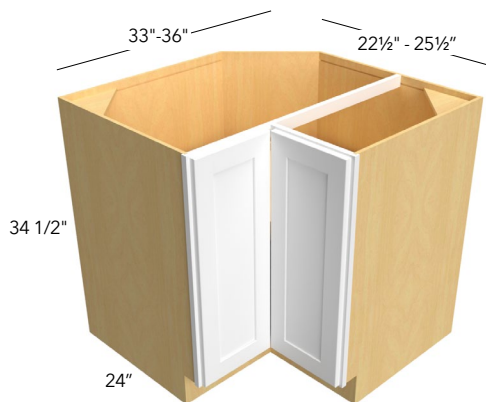
### DIAGONAL SINK

**ITEM**

\* DSB36

DSB36FD

- \* Tilt Out available on pg. 59
- Uses 3/8" overlay hinge



### EASY REACH

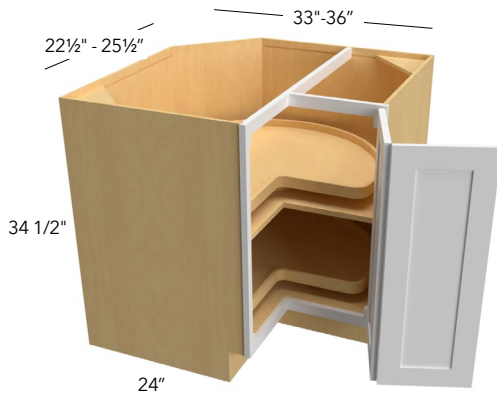
**ITEM**

ERB33

ERB36

- Center shelf is adjustable
- Soft close hinge not available

## Base Cabinets



### LAZY SUSAN

**ITEM**

LSB33

LSB36

- *LSB33: Includes two 26" Pie-Cut Lazy Susan Trays*
- **LSB36: NEW LARGER TRAYS - includes two 32" Pie-Cut Lazy Susan Trays**
- Both wooden Lazy Susan trays rotate independently
- Center tray is mounted on 18mm (3/4") adjustable shelf
- Soft close hinge not available



### SINK

**ITEM**

\*\* SB21

SB24

SB27

SB30

\* SB33

\* SB36

\* SB39

\* SB42

- \*\* Single Door
- \* Has two drawer fronts
- ◆ Has 3" center stile
- Tilt Out available on pg. 49



### FARM SINK

**ITEM**

FS30

FS33

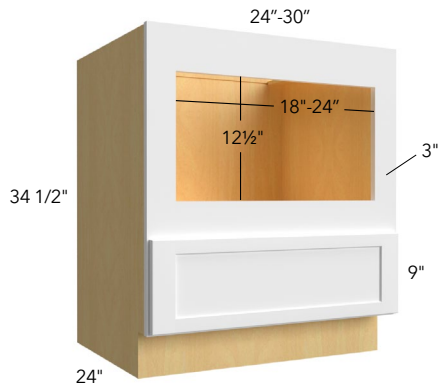
FS36

- Cut opening on job site
- Frame has a full closed top panel
- Maximum **cutout** height 12"
- Maximum **cutout** width 1-1/2" less than the cabinet size

**Note:** To avoid damage please apply extra care when cutting the front panel.



## Specialty Base Cabinets



### MICROWAVE

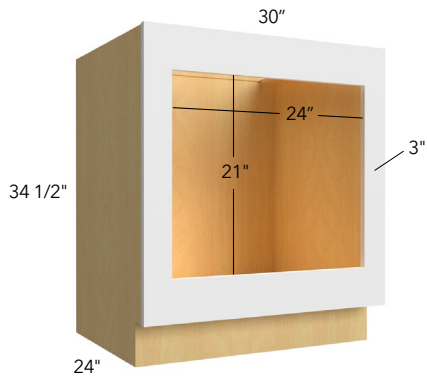
#### ITEM

BMC24

BMC30

- 3" Wide rails face frame to be trimmed on site,
- Minimum Width opening 18" - 24"
- Maximum **cut out** width 22-1/2" - 28-1/2"
- Minimum Height opening 12-1/2"
- Maximum **cut out** height is 18-3/4"H
- Maximum **overall** trim kit height 21"

*Note: To avoid damage to the frame & side panels, please apply extra care when cutting the front panel.*



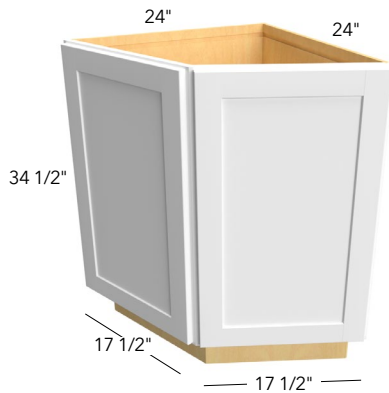
### OVEN

#### ITEM

BOC30

- 3" Wide rails face frame to be trimmed on site,
- Minimum Width opening 24"
- Maximum **cut out** width 28-1/2"
- Minimum Height opening 21"
- Maximum **cut out** height is 28"
- Maximum **overall** oven height 29-3/4"

*Note: To avoid damage to the frame & side panels, please apply extra care when cutting the front panel.*



### RETURN ANGLE

#### ITEM

BRA24

- Adjustable shelves
- Available in Galaxy Frost only



### TRANSITIONAL

#### ITEM

BTL12

BTR12

- Cabinet exposed side comes pre-finished with near-flush finished end.
- Cabinet unexposed side comes flush and is not able to have a loose skin or applied finished end. If Interior side needs to be finished, please reach out to Customer Service to have a quote for this modification.
- Includes 2 adjustable shelves

**BASE TRANSITIONAL  
RIGHT SHOWN**

## Base Cabinets with Installed Accessories



**B09FD-SPOBLUM**

### SPICE PULL OUT

| ITEM          |
|---------------|
| B09FD-SPO     |
| B09FD-SPOBLUM |
| B12FD-SPOBLUM |

- *Accessory details on [pg. 54](#)*



**B09FD-TDPOBLUM**

### TRAY PULL OUT

| ITEM           |
|----------------|
| B09FD-TDPOBLUM |

- *Accessory details on [pg. 55](#)*



**B09FD-UPO**

### UTENSIL PULL OUT

| ITEM      |
|-----------|
| B09FD-UPO |

- *Accessory details on [pg. 55](#)*

## Base Cabinets with Installed Accessories



**B15-TC**

### TRASH CAN

| ITEM   |
|--------|
| B15-TC |
| B18-TC |
| B21-TC |

- *Accessory details on [pg. 52](#)*



**B15FD-TC**

### TRASH CAN FULL HEIGHT

| ITEM     |
|----------|
| B15FD-TC |
| B18FD-TC |
| B21FD-TC |

- *Accessory details on [pg. 52](#)*

## Base Cabinets with Installed Roll Out Drawers - Full Extension



**B12-1RODH SHOWN**

### ROLL OUT DRAWER SINGLE DOOR

| ITEM      |
|-----------|
| B12-1RODH |
| B12-2RODH |
| B15-1RODH |
| B15-2RODH |
| B18-1RODH |
| B18-2RODH |
| B21-1RODH |
| B21-2RODH |



**B24-1RODH SHOWN**

### ROLL OUT DRAWER DOUBLE DOOR

| ITEM      |
|-----------|
| B24-1RODH |
| B24-2RODH |
| B27-1RODH |
| B27-2RODH |



**B42-1RODH SHOWN**

### ROLL OUT DRAWER DOUBLE DOOR DOUBLE DRAWER

| ITEM      |
|-----------|
| B30-1RODH |
| B30-2RODH |
| B33-1RODH |
| B33-2RODH |
| B36-1RODH |
| B36-2RODH |
| B42-1RODH |
| B42-2RODH |
| B42-3RODH |
| B42-4RODH |
| B48-1RODH |
| B48-2RODH |
| B48-3RODH |
| B48-4RODH |



## Base Cabinets with Installed Roll Out Drawers - Full Extension



**B12FD-1RODH SHOWN**

### ROLL OUT DRAWER FULL HEIGHT SINGLE DOOR

| ITEM        |
|-------------|
| B12FD-1RODH |
| B12FD-2RODH |
| B12FD-3RODH |
| B15FD-1RODH |
| B15FD-2RODH |
| B15FD-3RODH |
| B18FD-1RODH |
| B18FD-2RODH |
| B18FD-3RODH |
| B21FD-1RODH |
| B21FD-2RODH |
| B21FD-3RODH |



**B24FD-1RODH SHOWN**

### ROLL OUT DRAWER FULL HEIGHT DOUBLE DOOR

| ITEM        |
|-------------|
| B24FD-1RODH |
| B24FD-2RODH |
| B24FD-3RODH |
| B27FD-1RODH |
| B27FD-2RODH |
| B27FD-3RODH |
| B30FD-1RODH |
| B30FD-2RODH |
| B30FD-3RODH |
| B33FD-1RODH |
| B33FD-2RODH |
| B33FD-3RODH |
| B36FD-1RODH |
| B36FD-2RODH |
| B36FD-3RODH |

- Roll out drawers will be assembled and installed according to the quantity purchased. For custom height-placement, please email [orders@fabuwood.com](mailto:orders@fabuwood.com). A \$100 modification surcharge will apply to all custom requests.
- Accessory details on [pg.53](#)

## Base Cabinets with Installed Roll Out Drawers - Partial Extension



**B12-1RODE SHOWN**



**B24-1RODE SHOWN**



**B42-1RODE SHOWN**

### ROLL OUT DRAWER SINGLE DOOR

| ITEM      |
|-----------|
| B12-1RODE |
| B12-2RODE |
| B15-1RODE |
| B15-2RODE |
| B18-1RODE |
| B18-2RODE |
| B21-1RODE |
| B21-2RODE |

### ROLL OUT DRAWER DOUBLE DOOR

| ITEM      |
|-----------|
| B24-1RODE |
| B24-2RODE |
| B27-1RODE |
| B27-2RODE |

### ROLL OUT DRAWER DOUBLE DOOR DOUBLE DRAWER

| ITEM      |
|-----------|
| B30-1RODE |
| B30-2RODE |
| B33-1RODE |
| B33-2RODE |
| B36-1RODE |
| B36-2RODE |
| B42-1RODE |
| B42-2RODE |
| B42-3RODE |
| B42-4RODE |
| B48-1RODE |
| B48-2RODE |
| B48-3RODE |
| B48-4RODE |

## Base Cabinets with Installed Roll Out Drawers - Partial Extension



**B12FD-1RODE SHOWN**

### ROLL OUT DRAWER FULL HEIGHT SINGLE DOOR

| ITEM        |
|-------------|
| B12FD-1RODE |
| B12FD-2RODE |
| B12FD-3RODE |
| B15FD-1RODE |
| B15FD-2RODE |
| B15FD-3RODE |
| B18FD-1RODE |
| B18FD-2RODE |
| B18FD-3RODE |
| B21FD-1RODE |
| B21FD-2RODE |
| B21FD-3RODE |



**B24FD-1RODE SHOWN**

### ROLL OUT DRAWER FULL HEIGHT DOUBLE DOOR

| ITEM        |
|-------------|
| B24FD-1RODE |
| B24FD-2RODE |
| B24FD-3RODE |
| B27FD-1RODE |
| B27FD-2RODE |
| B27FD-3RODE |
| B30FD-1RODE |
| B30FD-2RODE |
| B30FD-3RODE |
| B33FD-1RODE |
| B33FD-2RODE |
| B33FD-3RODE |
| B36FD-1RODE |
| B36FD-2RODE |
| B36FD-3RODE |

- Roll out drawers will be assembled and installed according to the quantity purchased. For custom height-placement, please email [orders@fabuwood.com](mailto:orders@fabuwood.com). A \$100 modification surcharge will apply to all custom requests.
- Accessory details on [pg.53](#)

## 24" Deep Tall Pantry Cabinets



### SINGLE DOOR

| ITEM     |
|----------|
| TP152484 |
| TP152490 |
| TP152496 |
| TP182484 |
| TP182490 |
| TP182496 |

- 21" deep shelves
- 84" high - 5 shelves
- 90" & 96" high - 6 shelves
- Roll Out Drawer available on pg. 53

*Tall Pantry shelves are shipped loose and will come packaged separately from the cabinet. Shelf clips can be found taped inside of the Tall Pantry Cabinet.*



### DOUBLE DOOR

| ITEM     |
|----------|
| TP242484 |
| TP242490 |
| TP242496 |
| TP302484 |
| TP302490 |
| TP302496 |
| TP362484 |
| TP362490 |
| TP362496 |

- 21" deep shelves
- 84" high - 5 shelves
- 90" & 96" high - 6 shelves
- Roll Out Drawer available on pg. 53

*Tall Pantry shelves are shipped loose and will come packaged separately from the cabinet. Shelf clips can be found taped inside of the Tall Pantry Cabinet.*

## 12" Deep Tall Pantry Cabinets

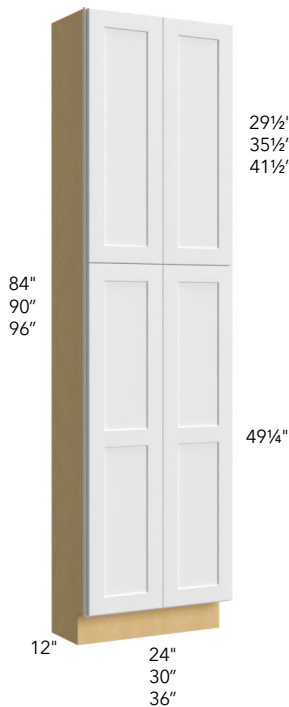


### SINGLE DOOR

| ITEM     |
|----------|
| TP151284 |
| TP151290 |
| TP151296 |
| TP181284 |
| TP181290 |
| TP181296 |

- Deep shelves
- 84" high - 5 shelves
- 90" & 96" high - 6 shelves
- Roll Out Drawer available on pg. 53 NOTE: Will incur a CUT-ROD modification charge.

Tall Pantry shelves are shipped loose and will come packaged separately from the cabinet. Shelf clips can be found taped inside of the Tall Pantry Cabinet.



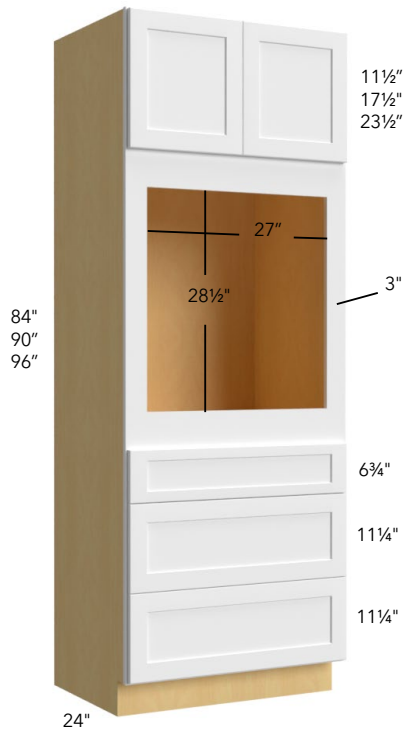
### DOUBLE DOOR

| ITEM     |
|----------|
| TP241284 |
| TP241290 |
| TP241296 |
| TP301284 |
| TP301290 |
| TP301296 |
| TP361284 |
| TP361290 |
| TP361296 |

- Deep shelves
- 84" high - 5 shelves
- 90" & 96" high - 6 shelves
- Roll Out Drawer available on pg. 53 NOTE: Will incur a CUT-ROD modification charge.

Tall Pantry shelves are shipped loose and will come packaged separately from the cabinet. Shelf clips can be found taped inside of the Tall Pantry Cabinet.

## Oven Cabinets



### OVEN CABINET SINGLE WITH 3 DRAWERS

**ITEM**

OC3384S

OC3390S

\* OC3396S

- \* Has one shelf in top cabinet.
- 3" Wide rails face frame to be trimmed on site

**When using a Single Oven:**

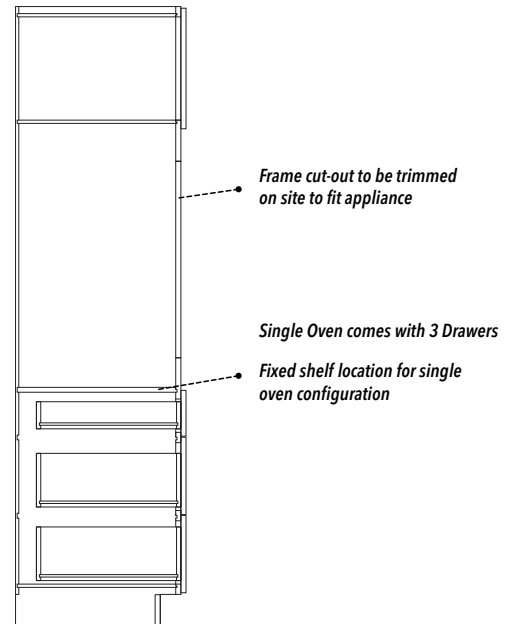
- Wide rails face frame to be trimmed on side
- Minimum Width opening 27"
- Maximum **cut out** width 31"
- Minimum Height opening 28 1/2"
- Maximum **cut out** height is 37"
- Maximum **overall** oven Height 37 1/2"

Full panel face frame to be trimmed on site (not by Fabuwood).

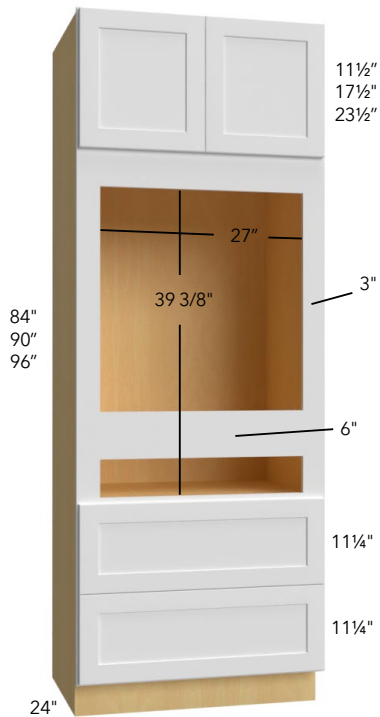
**Note:** To avoid damage to the frame & side panels, please apply extra care when cutting the front panel.

### SPECIFICATION FOR OVEN CABINET

Tall Oven Cabinets come with single fixed shelf above top drawer. Fixed shelf will be located above the uppermost drawer; location is based on the selected configurations: Single  
Frame is to be trimmed on site to accommodate configuration & appliance needs.



## Oven Cabinets



### OVEN CABINET COMBO WITH 2 DRAWERS

| ITEM      |
|-----------|
| OC3384C   |
| OC3390C   |
| * OC3396C |

- \* Has one shelf in top cabinet.
- 3" Wide rails face frame to be trimmed on site

#### When using a Combo Oven:

- Wide rails face frame to be trimmed on side
- Minimum Width opening 27"
- Maximum **cut out** width 31"
- Minimum **cut out** height 39 3/8"
- Maximum **cut out** height is 44"
- Maximum **overall** oven Height 44 5/8"

#### When using two appliances:

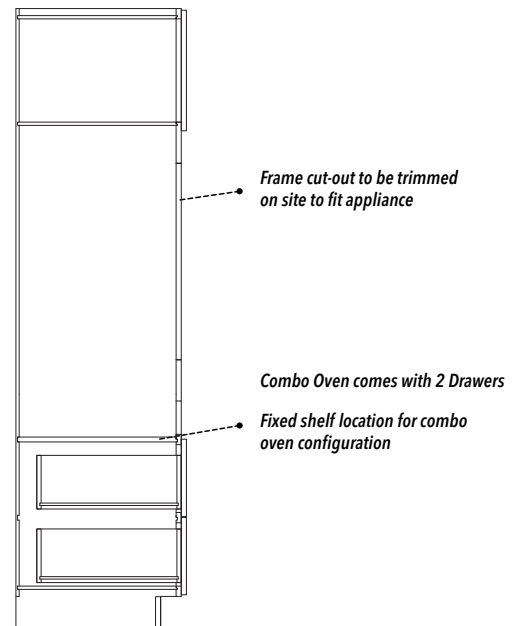
- Will need to insert a filler and fixed shelf to support top appliance, filler and shelf to be purchased separately

Full panel face frame to be trimmed on site (not by Fabuwood).

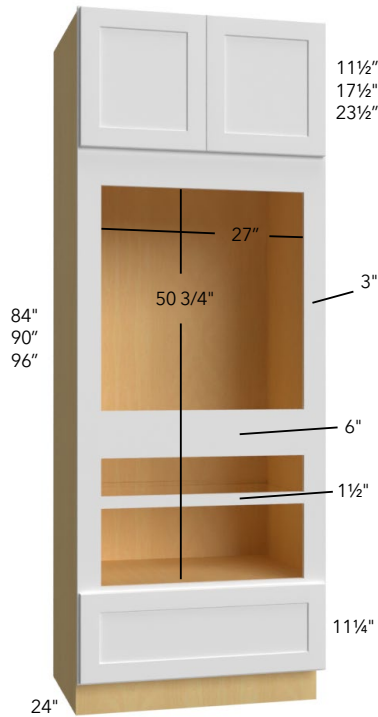
Note: To avoid damage to the frame & side panels, please apply extra care when cutting the front panel.

### SPECIFICATION FOR OVEN CABINET

Tall Oven Cabinets come with single fixed shelf above top drawer.  
Fixed shelf will be located above the uppermost drawer; location is based on the selected configurations: Combo  
Frame is to be trimmed on site to accommodate configuration & appliance needs.



## Oven Cabinets



### OVEN CABINET DOUBLE WITH 1 DRAWER

**ITEM**

OC3384D

OC3390D

\* OC3396D

- \* Has one shelf in top cabinet.
- 3" Wide rails face frame to be trimmed on site

**When using a Double Oven:**

- Wide rails face frame to be trimmed on side
- Minimum Width opening 27"
- Maximum cut out width 31"
- Minimum cut out height is 50 3/4"
- Maximum cut out height is 55 1/2"
- Maximum overall oven Height 56"

**When using two appliances:**

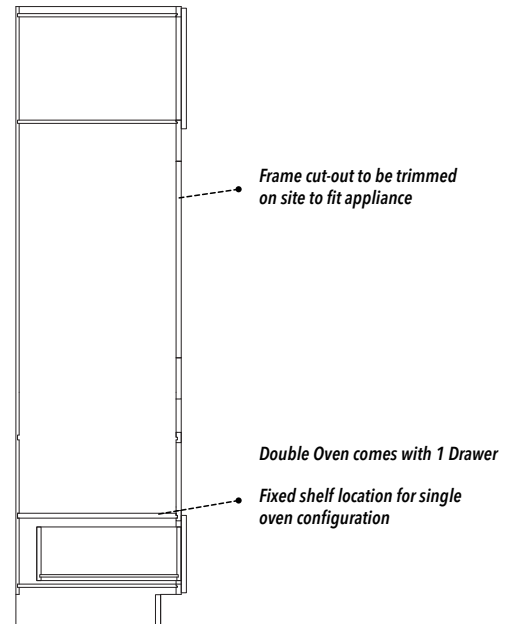
Will need to insert a filler and fixed shelf to support top appliance, filler and shelf to be purchased separately

Full panel face frame to be trimmed on site (not by Fabuwood).

*Note: To avoid damage to the frame & side panels, please apply extra care when cutting the front panel.*

### SPECIFICATION FOR OVEN CABINET

Tall Oven Cabinets come with single fixed shelf above top drawer. Fixed shelf will be located above the uppermost drawer; location is based on the selected configurations: Double  
Frame is to be trimmed on site to accommodate configuration & appliance needs.





## 24" Deep Tall Pantry with Installed Roll Out Drawers



**TP152490-1RODH SHOWN**

### SINGLE DOOR

| ITEM           |
|----------------|
| TP152484-2RODH |
| TP152484-3RODH |
| TP152484-4RODH |
| TP152490-2RODH |
| TP152490-3RODH |
| TP152490-4RODH |
| TP152496-2RODH |
| TP152496-3RODH |
| TP152496-4RODH |
| TP182484-2RODH |
| TP182484-3RODH |
| TP182484-4RODH |
| TP182490-2RODH |
| TP182490-3RODH |
| TP182490-4RODH |
| TP182496-2RODH |
| TP182496-3RODH |
| TP182496-4RODH |



**TP242490-1RODH SHOWN**

### DOUBLE DOOR

| ITEM           |
|----------------|
| TP242484-2RODH |
| TP242484-3RODH |
| TP242484-4RODH |
| TP242490-2RODH |
| TP242490-3RODH |
| TP242490-4RODH |
| TP242496-2RODH |
| TP242496-3RODH |
| TP242496-4RODH |
| TP302484-2RODH |
| TP302484-3RODH |
| TP302484-4RODH |
| TP302490-2RODH |
| TP302490-3RODH |
| TP302490-4RODH |
| TP302496-2RODH |
| TP302496-3RODH |
| TP302496-4RODH |

• Roll out drawers will be assembled and installed according to the quantity purchased. For custom height-placement, please email [orders@fabuwood.com](mailto:orders@fabuwood.com). A \$100 modification surcharge will apply to all custom requests.

## 12" Deep Tall Pantry Cabinets with Installed Roll Out Drawers



**TP151290-1RODH SHOWN**

### SINGLE DOOR

| ITEM           |
|----------------|
| TP151284-2RODH |
| TP151284-3RODH |
| TP151284-4RODH |
| TP151290-2RODH |
| TP151290-3RODH |
| TP151290-4RODH |
| TP151296-2RODH |
| TP151296-3RODH |
| TP151296-4RODH |
| TP181284-2RODH |
| TP181284-3RODH |
| TP181284-4RODH |
| TP181290-2RODH |
| TP181290-3RODH |
| TP181290-4RODH |
| TP181296-2RODH |
| TP181296-3RODH |
| TP181296-4RODH |



**TP241290-1RODH SHOWN**

### DOUBLE DOOR

| ITEM           |
|----------------|
| TP241284-2RODH |
| TP241284-3RODH |
| TP241284-4RODH |
| TP241290-2RODH |
| TP241290-3RODH |
| TP241290-4RODH |
| TP241296-2RODH |
| TP241296-3RODH |
| TP241296-4RODH |
| TP301284-2RODH |
| TP301284-3RODH |
| TP301284-4RODH |
| TP301290-2RODH |
| TP301290-3RODH |
| TP301290-4RODH |
| TP301296-2RODH |
| TP301296-3RODH |
| TP301296-4RODH |

• Roll out drawers will be assembled and installed according to the quantity purchased. For custom height-placement, please email [orders@fabuwood.com](mailto:orders@fabuwood.com). A \$100 modification surcharge will apply to all custom requests.

## 24" Deep Tall Pantry with Installed Roll Out Drawers



**TP152490-1RODE SHOWN**

### SINGLE DOOR

| ITEM           |
|----------------|
| TP152484-2RODE |
| TP152484-3RODE |
| TP152484-4RODE |
| TP152490-2RODE |
| TP152490-3RODE |
| TP152490-4RODE |
| TP152496-2RODE |
| TP152496-3RODE |
| TP152496-4RODE |
| TP182484-2RODE |
| TP182484-3RODE |
| TP182484-4RODE |
| TP182490-2RODE |
| TP182490-3RODE |
| TP182490-4RODE |
| TP182496-2RODE |
| TP182496-3RODE |
| TP182496-4RODE |



**TP242490-1RODE SHOWN**

### DOUBLE DOOR

| ITEM           |
|----------------|
| TP242484-2RODE |
| TP242484-3RODE |
| TP242484-4RODE |
| TP242490-2RODE |
| TP242490-3RODE |
| TP242490-4RODE |
| TP242496-2RODE |
| TP242496-3RODE |
| TP242496-4RODE |
| TP302484-2RODE |
| TP302484-3RODE |
| TP302484-4RODE |
| TP302490-2RODE |
| TP302490-3RODE |
| TP302490-4RODE |
| TP302496-2RODE |
| TP302496-3RODE |
| TP302496-4RODE |

• Roll out drawers will be assembled and installed according to the quantity purchased. For custom height-placement, please email [orders@fabuwood.com](mailto:orders@fabuwood.com). A \$100 modification surcharge will apply to all custom requests.

## 12" Deep Tall Pantry Cabinets with Installed Roll Out Drawers



**TP151290-1RODE SHOWN**

### SINGLE DOOR

| ITEM           |
|----------------|
| TP151284-2RODE |
| TP151284-3RODE |
| TP151284-4RODE |
| TP151290-2RODE |
| TP151290-3RODE |
| TP151290-4RODE |
| TP151296-2RODE |
| TP151296-3RODE |
| TP151296-4RODE |
| TP181284-2RODE |
| TP181284-3RODE |
| TP181284-4RODE |
| TP181290-2RODE |
| TP181290-3RODE |
| TP181290-4RODE |
| TP181296-2RODE |
| TP181296-3RODE |
| TP181296-4RODE |



**TP241290-1RODE SHOWN**

### DOUBLE DOOR

| ITEM           |
|----------------|
| TP241284-2RODE |
| TP241284-3RODE |
| TP241284-4RODE |
| TP241290-2RODE |
| TP241290-3RODE |
| TP241290-4RODE |
| TP241296-2RODE |
| TP241296-3RODE |
| TP241296-4RODE |
| TP301284-2RODE |
| TP301284-3RODE |
| TP301284-4RODE |
| TP301290-2RODE |
| TP301290-3RODE |
| TP301290-4RODE |
| TP301296-2RODE |
| TP301296-3RODE |
| TP301296-4RODE |

• Roll out drawers will be assembled and installed according to the quantity purchased. For custom height-placement, please email [orders@fabuwood.com](mailto:orders@fabuwood.com). A \$100 modification surcharge will apply to all custom requests.

Vanities



**FULL HEIGHT SINGLE DOOR VANITY BASE**

| ITEM   |
|--------|
| VB12FD |
| VB15FD |

- Shelf depth: 18"



**FULL HEIGHT DOUBLE DOOR VANITY BASE**

| ITEM   |
|--------|
| VB24FD |
| VB27FD |
| VB30FD |
| VB33FD |
| VB36FD |

- Shelf depth: 18"



**VANITY BASE**

| ITEM    |
|---------|
| VB12-34 |
| VB15-34 |
| VB18-34 |
| VB24-34 |
| VB30-34 |

- 2" clearance between drawer and back panel
- Shelf depth: 18"

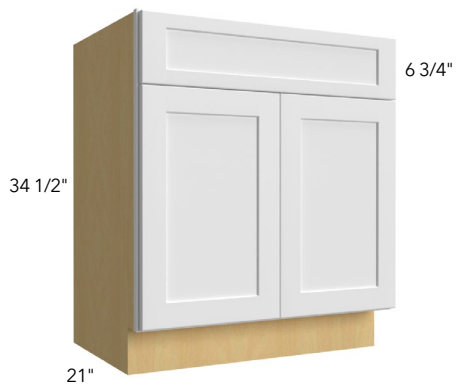
## Vanities



### VANITY DRAWER BASE

| ITEM     |
|----------|
| VDB12-34 |
| VDB15-34 |
| VDB18-34 |
| VDB21-34 |
| VDB24-34 |

- 2" clearance between drawer and back panel



### VANITY SINK BASE

| ITEM        |
|-------------|
| ** VSB21-34 |
| VSB24-34    |
| VSB27-34    |

- \*\* Single Door



### VANITY SINK BASE

| ITEM     |
|----------|
| VSB30-34 |
| VSB33-34 |
| VSB36-34 |

## Vanities



### VANITY SINK & DRAWER COMBO

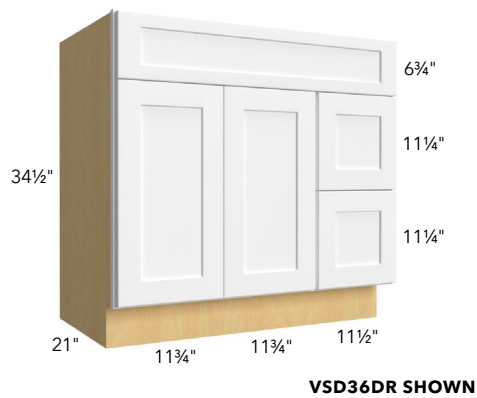
**ITEM**

VSD30DR

VSD30DL

- *Not available in Nexus*

*Need to select drawer on right or left side, cabinet can't be reversed R/L after assembled.*



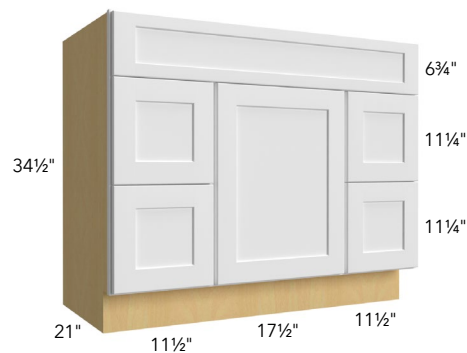
### VANITY SINK & DRAWER COMBO

**ITEM**

VSD36DR

VSD36DL

*Need to select drawer on right or left side, cabinet can't be reversed R/L after assembled.*



### VANITY SINK & DRAWER COMBO

**ITEM**

VSD42

Vanities



**VANITY SINK & DRAWER COMBO**

| ITEM  |
|-------|
| VSD48 |



**VANITY SINK & DRAWER COMBO**

| ITEM        |
|-------------|
| VSD60SINGLE |

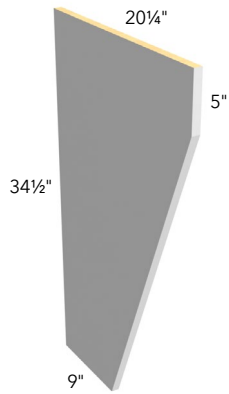


**VANITY SINK & DRAWER COMBO**

| ITEM        |
|-------------|
| VSD60DOUBLE |



Vanities

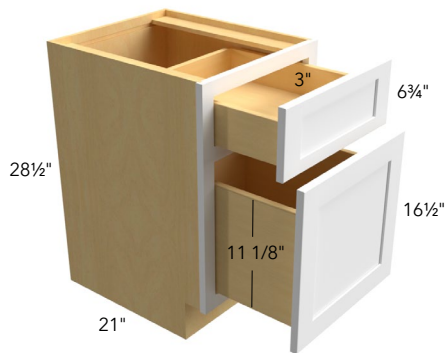


**VANITY DESK LEG**

ITEM

VDL

- Plywood veneer 3/4" thick
- Front matching color edge banding
- Only available in Frost

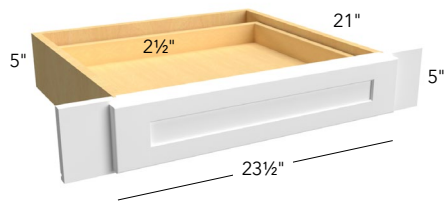


**FILE DRAWER BASE**

ITEM

FD18

- Cabinet height is 28 1/2"
- File rack not included



**KNEE DRAWER**

ITEM

KD30

- Can be trimmed up to 3" on both sides
- Blum soft close undermount
- Recessed drawer front

## Waste Solutions

TC18 BLUM, TC21 BLUM



TC15 BLUM



### TRASH CAN (BLUM SLIDES)

ITEM

\* TC15 BLUM

TC18 BLUM

TC21 BLUM

\*\* TCV15 BLUM

- Tandem plus Blumotion full extension concealed drawer runners
- Cabinet not included, cabinet must be ordered separately
- 2 - 35 qt. cans included
- Not for ADA cabinet use
- \* Single 35 qt. can + one bags bin
- \*\* Smaller depth for vanity cabinets

TC18FHD BLUM, TC21FHD BLUM



TC15FHD BLUM



### TRASH CAN FULL HEIGHT DOOR (BLUM SLIDES)

ITEM

\* TC15FHD BLUM

TC18FHD BLUM

TC21FHD BLUM

- Tandem plus Blumotion full extension concealed drawer runners
- Cabinet not included, cabinet must be ordered separately
- 2 - 50 qt. can included
- Not for ADA cabinet use
- FULL-DOORS modification is required
- \* Single 50 qt. can + one bags bin

## Base Accessories



### ROLL OUT (PARTIAL EXTENSION BLUM SLIDES)

#### ITEM

ROD-B15 BLUM E

ROD-B18 BLUM E

ROD-B21 BLUM E

ROD-B24 BLUM E

ROD-B27 BLUM E

ROD-B30 BLUM E

ROD-B33 BLUM E

ROD-B36 BLUM E

- Cabinet not included
- Price is for a single Roll Out drawer
- Blumotion partial extension concealed drawer runners
- Drawers are adjustable
- Can be used for pantries

*Increased depth of Rollout drawers are by custom request only. Custom quote required.*



### ROLL OUT (FULL EXTENSION BLUM SLIDES)

#### ITEM

ROD-B15 BLUM H

ROD-B18 BLUM H

ROD-B21 BLUM H

ROD-B24 BLUM H

ROD-B27 BLUM H

ROD-B30 BLUM H

ROD-B33 BLUM H

ROD-B36 BLUM H

- Cabinet not included
- Price is for a single Roll Out drawer
- Blumotion full extension concealed drawer runners
- Drawers are adjustable
- Can be used for pantries

*Increased depth of Rollout drawers are by custom request only. Custom quote required.*

## Base Accessories



### TWO-TIER COOKWARE ORGANIZER

#### ITEM

CWO-B18 BLUM

CWO-B24 BLUM

- Cabinet not included
- Full-extension Blum slides
- Pegboard bottoms
- 4 Press-in pegs included



### 3" TOWEL BAR PULL OUT

#### ITEM

TBPO-BF3

- Filler & Overlay Filler are required and need to be ordered separately
- 2 Towel bars
- Single static shelf with chrome wire accents
- UV coated maple wood
- Installed on site
- Installed between two cabinets
- Full-extension, ball-bearing slides with soft-close



### SPICE PULL OUT BASE

#### ITEM

\* SPO-B9

SPO-B9 BLUM

SPO-B12 BLUM

- Cabinet not included, cabinet must be ordered separately
- Chrome rails
- Adjustable shelves
- UV coated maple wood
- Not for ADA cabinet use
- \* Full extension ball-bearing slides (not soft-close)

## Base Accessories



### 9" UTENSIL PULL OUT

#### ITEM

UPO-B9 BLUM

- Cabinet not included, cabinet must be ordered separately
- Chrome rails
- Adjustable shelves
- UV coated maple wood
- Not for ADA cabinet use
- Features Blumotion soft-close drawer slides



### UTENSIL & KNIFE PULL OUT

#### ITEM

UKBPO-B12 BLUM

- Cabinet not included, cabinet must be ordered separately
- Designed for 12" full height base cabinet
- Knife block features flex rod technology that adjust to securely hold knives
- Chrome rails
- Adjustable top shelf
- 2 qt. removable stainless steel bin included
- 4 flexible plastic cutting mats included
- UV coated maple wood
- Not for ADA cabinet use
- Features Blumotion soft-close drawer slides



### 9" TRAY DIVIDER PULL OUT

#### ITEM

TDPO-B9 BLUM

- Cabinet not included, cabinet must be ordered separately
- UV coated maple wood
- Not for ADA cabinet use
- Features Blumotion soft-close drawer slides

## Base & Wall Accessories



### SPICE PULL OUT BASE FILLER

| ITEM         |
|--------------|
| * SPO-BF3    |
| SPO-BF3 BLUM |
| * SPO-BF6    |
| SPO-BF6 BLUM |

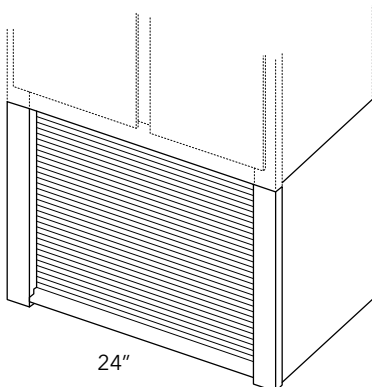
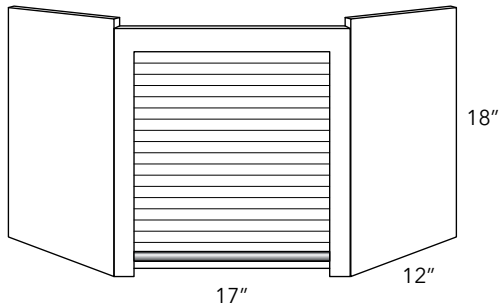
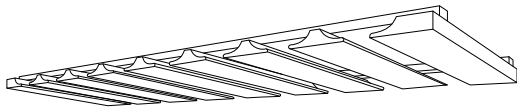
- *Filler & Overlay Filler are required and need to be ordered separately*
- *Chrome rails*
- *Adjustable shelves*
- *UV coated maple wood*
- *Installed on site*
- *Installed between two cabinets*
- *Not for ADA cabinet use*
- *Wall filler 30" high is recommended instead of a base filler, requires to build toe kick separately*
- \* *Full extension ball-bearing slides (not soft-close)*

### SPICE PULLOUT WALL FILLER

| ITEM      |
|-----------|
| SPO-WF330 |
| SPO-WF336 |
| SPO-WF342 |
| SPO-WF630 |
| SPO-WF636 |
| SPO-WF642 |

- *Filler & Overlay Filler are required and need to be ordered separately*
- *Chrome rails*
- *Full extension ball-bearing slides (BLUM soft-close slides not available)*
- *Adjustable shelves*
- *UV coated maple wood*
- *Installed on site*
- *Installed between two cabinets*

## Wall Accessories



### LAZY SUSAN

|         | ITEM          |
|---------|---------------|
| PLASTIC | LSP24 30      |
|         | LSP24 36/42   |
| WOOD    | LSW24 30      |
|         | LSW24 36/42   |
|         | * LSW27 30    |
|         | * LSW27 36/42 |

- Adjustable metal post
- 42" lazy susan has 3 trays
- Prepared for installation at job site
- 42" poles can be cut to fit 36" high cabinet
- \* 20" trays

### STEMWARE RACK

| ITEM        |
|-------------|
| STEMWARE 30 |
| STEMWARE 36 |

- Comes unfinished. Product finished per order. May have extended ETA.

### CORNER APPLIANCE GARAGE

| ITEM      |
|-----------|
| WDCAG2418 |

- Comes unfinished. Product finished per order. May have extended ETA
- Designed to be installed under a diagonal corner wall 24".

**Note:** Appliance garages ship unassembled. Assembly required for installation on-site.

### STRAIGHT APPLIANCE GARAGE

| ITEM    |
|---------|
| WAG2418 |

- Comes unfinished. Product finished per order. May have extended ETA
- Designed to be placed under a 24" wide wall cabinet.
- Stiles are 2" wide

**Note:** Appliance garages ship unassembled. Assembly required for installation on-site.

## Base & Wall Accessories



### FLOATING SHELF

| ITEM  |
|-------|
| FLS24 |
| FLS30 |
| FLS36 |
| FLS42 |
| FLS48 |
| FLS54 |

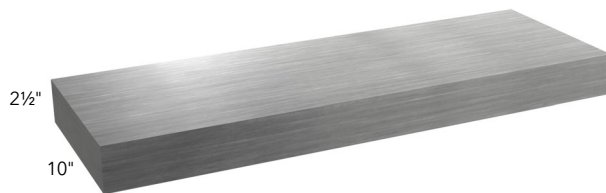
- Includes hanging bracket & mounting hardware
- Dimensions:  
Width: 24", 30", 36", 42", 48", 54"  
Height - 2½"  
Depth - 10"
- Floating shelves are finished at the time of order placement and may extend the ETA on the order



### FLOATING SHELF - WALNUT

| ITEM         |
|--------------|
| FLS24 WALNUT |
| FLS30 WALNUT |
| FLS36 WALNUT |
| FLS42 WALNUT |
| FLS48 WALNUT |
| FLS54 WALNUT |

- Includes hanging bracket & mounting hardware
- Dimensions:  
Width: 24", 30", 36"  
Height - 2½"  
Depth - 10"



### FLOATING SHELF - STAINLESS STEEL

| ITEM    |
|---------|
| SSFLS36 |

- Includes hanging bracket & mounting hardware
- Dimensions:  
Width - 36"  
Height - 2½"  
Depth - 10"

**NOTE:** Stainless Steel Floating Shelves have been discontinued. Limited quantities of SSFLS36 available while supplies last.



## Sink Accessories



### TILT OUT

ITEM

TILTOUT 11"

TILTOUT 14"

TILTOUT 24"

- *White plastic tray*
- *Add some tiltout modification*

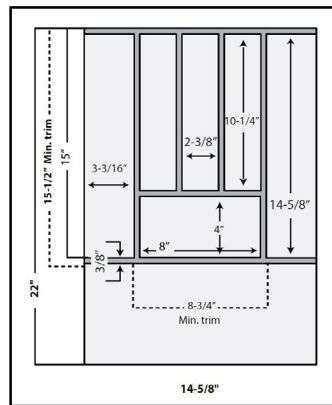
## Drawer Accessories



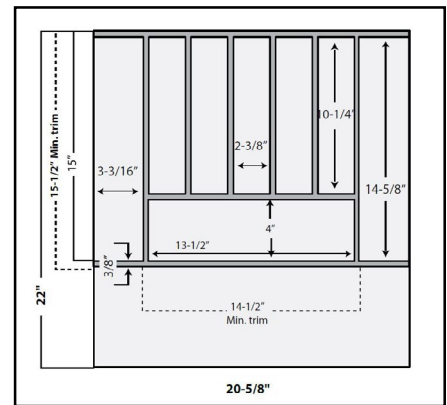
### TRIMMABLE CUTLERY INSERT

| ITEM |
|------|
| CD-S |
| CD-L |

- UV coated maple wood
- 3/8" dividers
- 2 1/2" interior height
- 3/8" plywood bottom
- Includes installation



CD-S



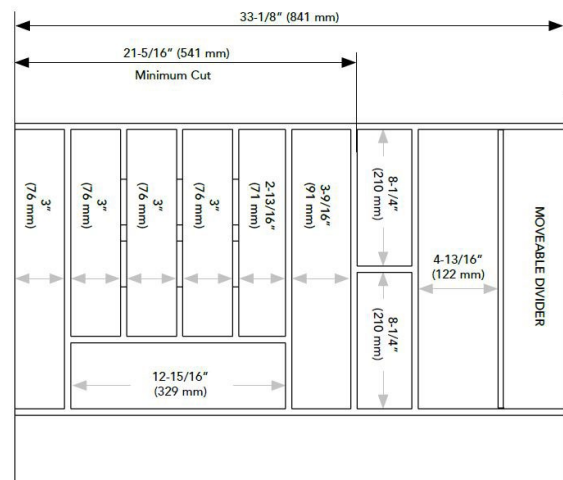
CD-L



### WIDE TRIMMABLE CUTLERY INSERT

| ITEM  |
|-------|
| CD-XL |

- Designed for 36" or smaller base cabinet drawers
- UV coated maple wood
- 3/8" dividers
- 2 1/2" interior height
- 3/8" plywood bottom
- Includes installation



## Drawer Accessories

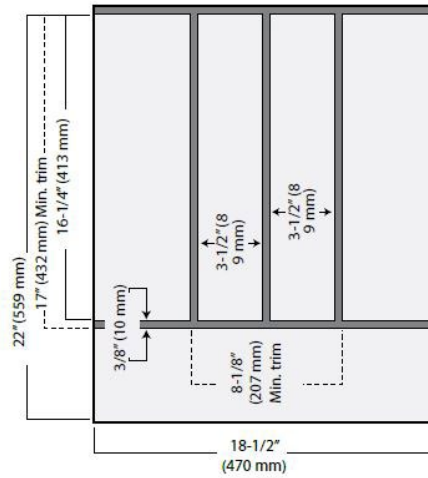


### TRIMMABLE UTENSIL INSERT

ITEM

UT-15/24

- To fit 15" - 24" drawer
- Minimum cut width 8-1/2" W, Max 18-1/2" W. In a 24"W cabinet, will have extra room.
- UV coated maple wood
- 3/8" dividers
- 2 1/2" interior height
- 3/8" plywood bottom
- Includes installation



## Drawer Accessories



### TIERED DEEP DRAWER

| ITEM          |
|---------------|
| DTD-DB30 BLUM |
| DTD-DB36 BLUM |

- For DB30 & DB36 only
- Replaces the original drawer box of cabinet
- UV coated maple wood
- Drawer front not included
- 3 drawer compartments
- Blumotion full extension concealed drawer runners



### CUTTING BOARD & KNIFE DRAWER

| ITEM          |
|---------------|
| CBKD-B18 BLUM |

- For 18" cabinet drawer only
- Replaces the original drawer box of cabinet
- UV coated maple wood
- Up to 4 compartments and built-in knife organizer
- 1 wooden cutting board
- Blumotion full extension concealed drawer runners



### CHARGING DRAWER

| ITEM         |
|--------------|
| CHD-B18 BLUM |

- For 18" cabinet drawer only
- Replaces the original drawer box of cabinet
- UV coated maple wood
- Blumotion full extension concealed drawer runners
- (2) 120V plugs and (2) 201 amp USB ports
- Tamper resistant outlets
- Max current: AC: 12 amps @ 120VAC; USB 2.1 amp & 5 VDC
- Power cord with NEMA 5 - 15 plug
- Integrated cord guide to ensure safe operation
- Shock absorbent mat, black
- Overall safety of this product is determined by its end use

## Drawer Accessories



### 2-TIER CUTLERY DRAWER

| ITEM        |
|-------------|
| DCD-15 BLUM |
| DCD-18 BLUM |
| DCD-21 BLUM |
| DCD-24 BLUM |

- UV coated maple wood
- Includes complete 3¾" high drawer box
- Features Blum soft-close slides



### 2-TIER CUTLERY COMBO DRAWER

| ITEM          |
|---------------|
| DCD-30 BLUM   |
| * DCD-36 BLUM |

- UV coated maple wood
- Includes complete 3¾" high drawer box
- Features Blum soft-close slides
- \* For DB36 only



### TRIMMABLE KNIFE DIVIDER

| ITEM      |
|-----------|
| DKI-18/24 |

- UV coated maple wood
- Total height: 2"
- ¾" plywood bottom

## Vanity Accessories



### VANITY OUTLET GROOMING ORGANIZER

#### ITEM

VGO12FD BLUM

- Cabinet not included, cabinet must be ordered separately
- Designed for 12" full height cabinet
- 2 removable stainless steel bins included
- 2 shelves with non-skid vinyl lining and acrylic accents
- In-drawer receptacle with (2) 120V plugs
- Tamper-resistant outlets
- Max Current: AC: 12 amps @ 120VAC
- Power cord with NEMA 5 - 15 plug
- Integrated cord guide ensures safe operation
- Drawer stop prevents items from being stored "ON" inside the cabinet
- Its end-use determines the overall safety of this product
- UV coated maple wood
- Not for ADA cabinet use
- Blumotion full extension concealed drawer runners



### TRIMMABLE VANITY DRAWER ORGANIZER INSERT

#### ITEM

VDO

- Designed for 21" or smaller vanity base drawers
- Fits perfectly for KD30 cabinet
- Anti-skid vinyl lining
- Up to 13 compartments
- 2 clear acrylic lids
- UV coated maple wood



### VANITY APPLIANCE STORAGE RACK

#### ITEM

VASR-30

- Designed for 30" vanity base cabinet
- Mounts to inside of right or left door
- Non-skid lining on lower level shelf
- (2) 1.25 qt. stainless steel bins
- UV coated maple wood

## Vanity Accessories



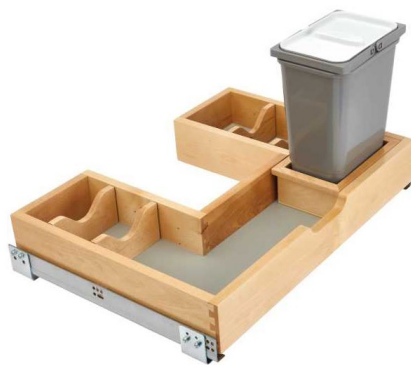
### VANITY ORGANIZER PULL OUT

ITEM

VOPO-24 BLUM

- Reversible
- 6 Acrylic bins included
- Blumotion full extension concealed drawer runners
- For VSB24-34

*\*Pull-out's shorter depth is designed for 24" Vanity Sink Base, but will also work in standard depth base cabinets. If used in standard base, there will be additional space in rear of cabinet once unit is installed.*



### U-SHAPED VANITY SINK BASE PULL OUT

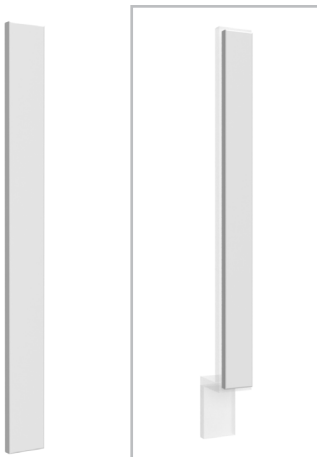
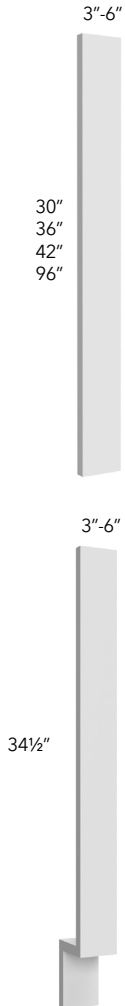
ITEM

UVTCPO-30 BLUM

- Tandem plus Blumotion full extension drawer runners
- Designed for 30" Vanity Sink Base, but works great in standard depth base cabinets as well
- Non-skid vinyl lining
- 4 adjustable dividers
- 8 qt. waste container included

*Any accessories can be ordered and installed through Fabuwood*

## Fillers



**OVERLAY FILLER ON  
BASE FILLER SHOWN**

### WALL & TALL

| ITEM  |
|-------|
| WF330 |
| WF336 |
| WF342 |
| WF630 |
| WF636 |
| WF642 |
| TF396 |
| TF696 |




- Wall/Tall Fillers are finished on all four edges and front face
- Spice Pullout available on pg. 56

### BASE

| ITEM |
|------|
| BF3  |
| BF6  |

- Base Fillers are finished on all four edges of upper filler area and front face; recessed toe kick area not finished
- Spice Pullout available on pg. 56

### OVERLAY

| ITEM   |
|--|
| * OLF330   |
| * OLF336   |
| * OLF342   |
| *  OLF384 |
| *  OLF390 |
| *  OLF396 |
| ** OLF630  |
| ** OLF636  |
| ** OLF642  |

- \* Actual width: 2 1/2"
- \*\* Actual width: 5 1/2"
- All four edges and front face of Overlay Filler are finished
- Back filler to be ordered separately
- ◆ Height is 5" less than the cabinet height



## Valances



### STRAIGHT

**ITEM**

VST96

- Edge profile



**FUSION  
PROFILE**



**GALAXY/LUNA  
PROFILE**



**IMPERIO  
PROFILE**



**NEXUS  
PROFILE**



**ONYX  
PROFILE**



### ARCHED

**ITEM**

VAR36

VAR54

- Edge profile
- Can be trimmed up to 3" on each side



**FUSION  
PROFILE**



**GALAXY/LUNA  
PROFILE**



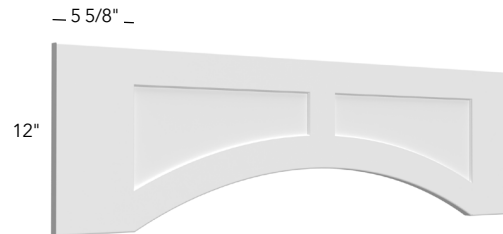
**IMPERIO  
PROFILE**



**NEXUS  
PROFILE**



**ONYX  
PROFILE**



### ARCHED-RECESSED PANEL

**ITEM**

VARP36

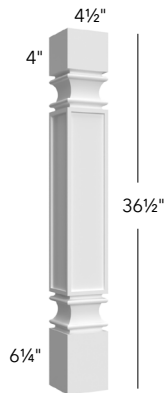
VARP42

VARP48

VARP54

- Not available in Luna
- Can be trimmed up to 3" on each side

## Posts

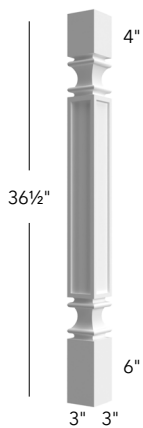


### STANDARD POST

| ITEM |
|------|
| SP36 |

- Must trim 2" from top or bottom

*Disclaimer: Posts are handmade and may therefore feature inconsistencies in shape or form. These are in no way considered defects.*

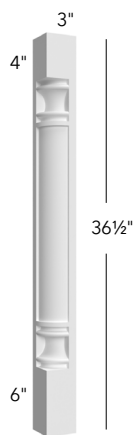


### STANDARD POST

| ITEM  |
|-------|
| SP3X3 |

- Must trim 2" from top or bottom

*Disclaimer: Posts are handmade and may therefore feature inconsistencies in shape or form. These are in no way considered defects.*



### CORNER POST

| ITEM |
|------|
| CP36 |

- Must trim 2" from top or bottom

*Disclaimer: Posts are handmade and may therefore feature inconsistencies in shape or form. These are in no way considered defects.*

## Pilasters and Corbels



### PLAIN PILASTER BASE & TALL

| ITEM      |
|-----------|
| * PP-BASE |
| PP-TP84   |
| PP-TP90   |
| PP-TP96   |

- \* Must trim 2" from top or bottom
- Features a toe kick block behind the pilaster

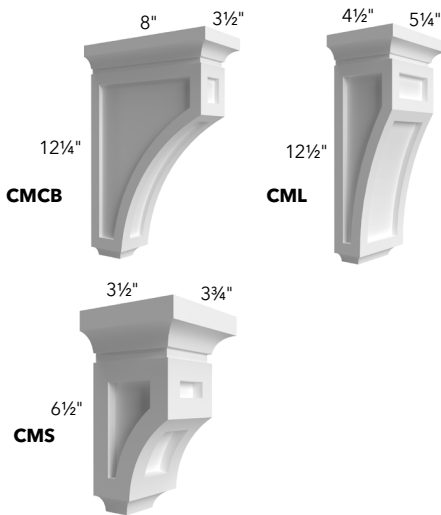
*Disclaimer: Pilasters are handmade and may therefore feature inconsistencies in shape or form. These are in no way considered defects.*



### PLAIN PILASTER WALL

| ITEM   |
|--------|
| PP-W30 |
| PP-W36 |
| PP-W42 |

*Disclaimer: Pilasters are handmade and may therefore feature inconsistencies in shape or form. These are in no way considered defects.*

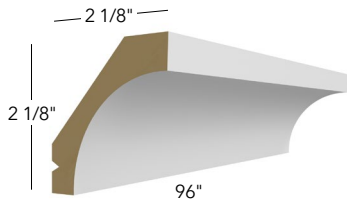


### CORBEL

| ITEM |
|------|
| CMCB |
| CML  |
| CMS  |

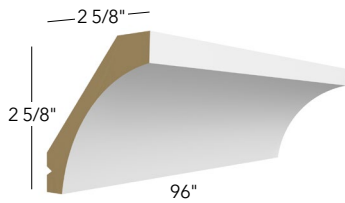
*Disclaimer: Corbels are handmade and may therefore feature inconsistencies in shape or form. These are in no way considered defects.*

## Moldings (8')



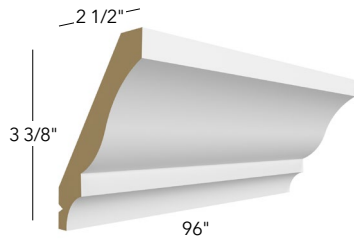
### SMALL COVE

| ITEM |
|------|
| CM-3 |



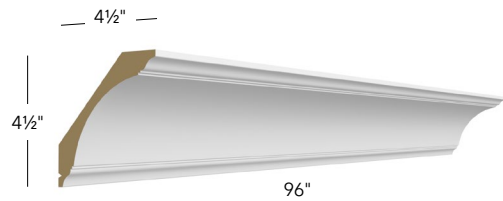
### LARGE COVE

| ITEM |
|------|
| CM-4 |



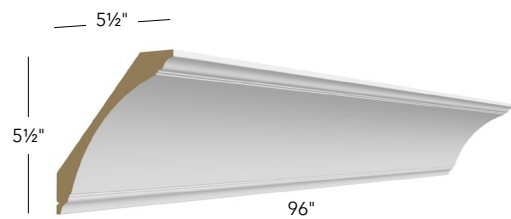
### LARGE CROWN

| ITEM |
|------|
| CM-6 |



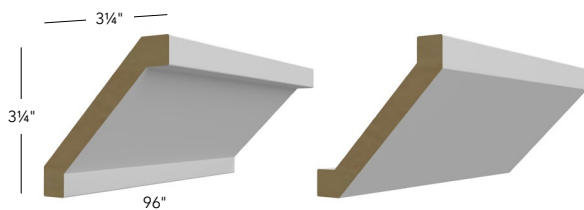
### LARGE COVE CROWN

| ITEM |
|------|
| CM-7 |



### X-LARGE COVE CROWN

| ITEM |
|------|
| CM-8 |

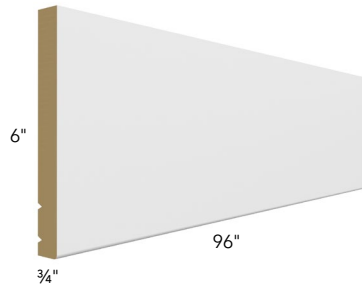


### SHAKER CROWN

| ITEM |
|------|
| CM-9 |

- Reversible molding, can be installed two ways
- Available in Dove, Kona, & Indigo finishes only

## Moldings (8')



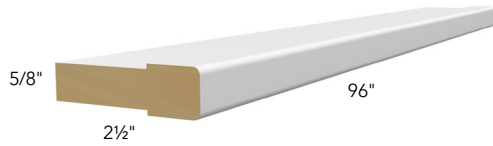
### EXTENSION

| ITEM  |
|-------|
| MEX-8 |



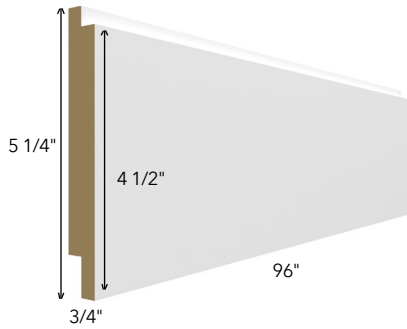
### STARTER

| ITEM   |
|--------|
| STRM-8 |



### STACKING

| ITEM   |
|--------|
| STKM-8 |

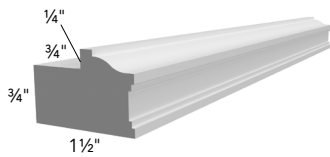


### SHIP LAP

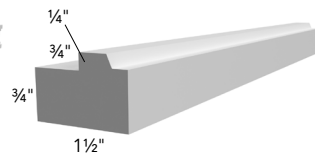
| ITEM  |
|-------|
| SHL-8 |

### LIGHT RAIL

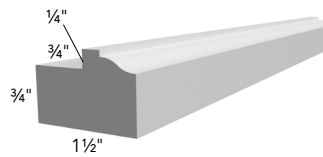
| ITEM |
|------|
| LRM  |



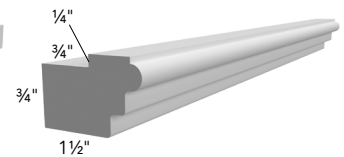
**NEXUS**



**LUNA/GALAXY/ONYX**

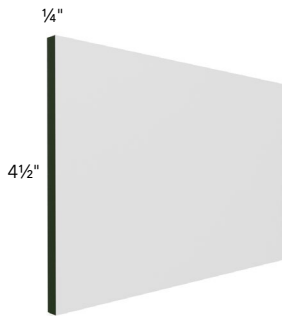


**FUSION**



**IMPERIO**

## Moldings (8')

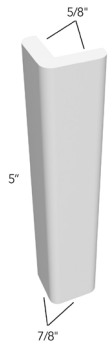


### TOE KICK

ITEM

TK8

- Exterior finish matches that of door style ordered
- Moisture Resistant MDF will have visible green core



Toe Kick Cap Installed on Base Cabinet

### TOE KICK CAP

ITEM

TKC

- Solid Wood Toe Kick Cap
- Exterior finish matches that of door style ordered
- Cut on site during installation
- Toe Kick Cap used to finish exposed toekick ends and match finished side panels.



### BASE BOARD

ITEM

BBM



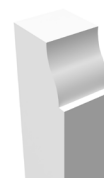
**FUSION  
PROFILE**



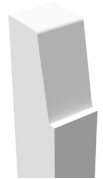
**LUNA & GALAXY  
PROFILE**



**IMPERIO  
PROFILE**

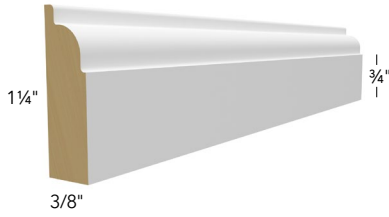


**NEXUS  
PROFILE**



**ONYX  
PROFILE**

## Moldings (8')



### DECORATIVE SCRIBE

| ITEM  |
|-------|
| SM8-D |



### SIMPLE SCRIBE

| ITEM  |
|-------|
| SM8-S |



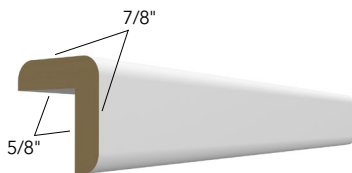
### BATTEN

| ITEM    |
|---------|
| BM3/4   |
| BM1 1/4 |



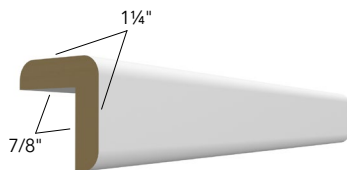
### QUARTER ROUND

| ITEM |
|------|
| QRM  |



### OUTSIDE CORNER

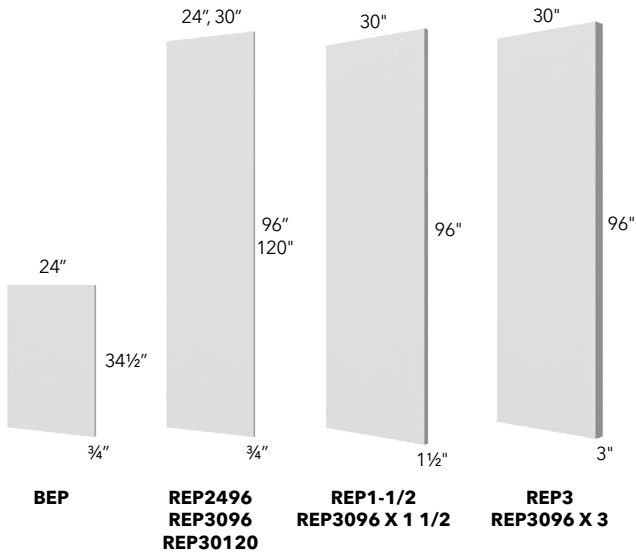
| ITEM        |
|-------------|
| OCM8        |
| OCM8-1 1/4" |



### INSIDE CORNER

| ITEM |
|------|
| ICM8 |

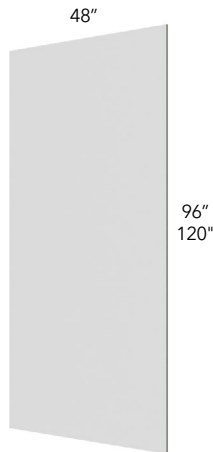
Panels



**REFRIGERATOR END PANEL**

| ITEM               |             |
|--------------------|-------------|
| ** REP1-1/2        |             |
| REP30120 x 1-1/2   | <b>NEW!</b> |
| * REP2496          |             |
| ** REP3            |             |
| REP30120 x 3       | <b>NEW!</b> |
| * REP3096          |             |
| REP30120           | <b>NEW!</b> |
| ** REP3096 x 1 1/2 |             |
| ** REP3096 x 3     |             |

- \* Both long edges (34-1/2" for BEP, 96" for REP) are edge-banded
- \*\* Sides are flush finished, (no 1/4" reveal)
- 120" height available for 30" depth ONLY



**PAN-1/4**

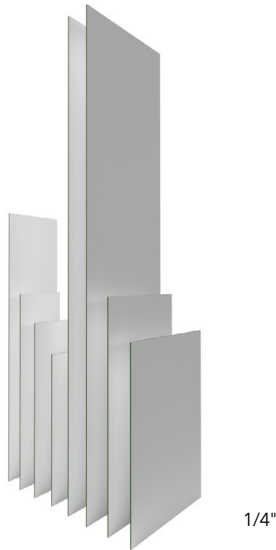
**PANEL/LOOSE PLYWOOD**

| ITEM           |
|----------------|
| PAN-1/4        |
| PLY-1/2        |
| PLY-3/4        |
| PLY-1/2 48X120 |
| PLY-3/4 48X120 |

- Finished on 2 sides only
- \*Moisture Resistant MDF will have visible green core



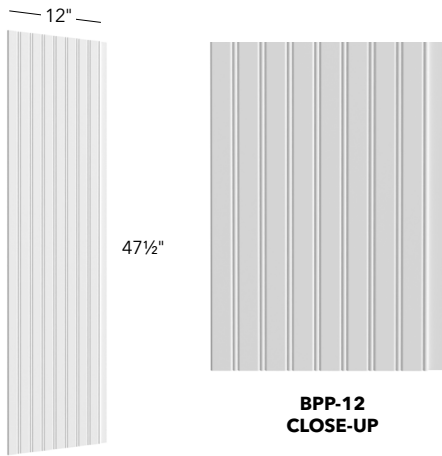
Panels



**FINISHED END SKINS**

| ITEM    |
|---------|
| SK BASE |
| SK MC   |
| SK TALL |
| SK T12D |
| SK W30  |
| SK W36  |
| SK W42  |
| SK WD   |

*\*Moisture Resistant MDF will have visible green core*



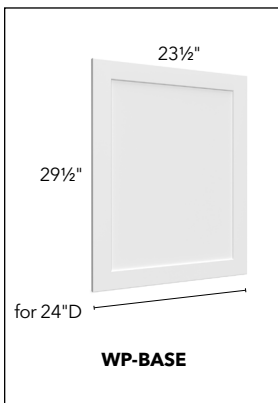
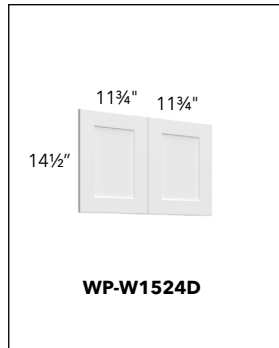
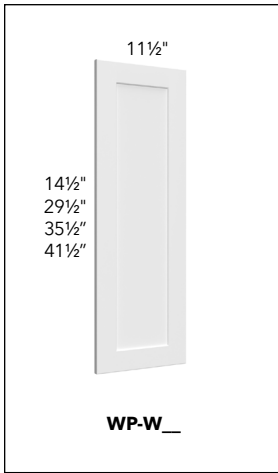
**BEADED PANEL PLANK**

| ITEM |
|------|
|------|

BPP-12

- Replaces BP4x8
- 3/8" thick x 12 7/8"W x 47 1/2"H interlocking panel.
- Beads are 1 1/2" center-to-center.
- Visible finished portion of the panel is 12"W so when assembled together with additional planks they install in 12" increments.
- Trim panel to fit on site.

Panels



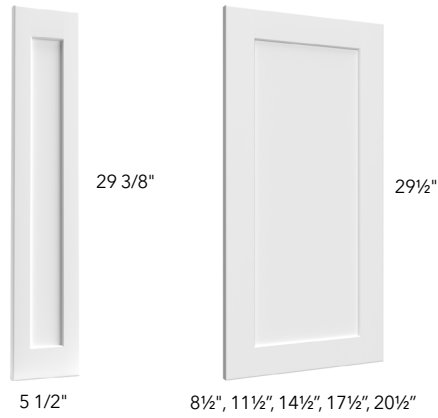
**WAINSCOT PANEL**

| ITEM      |
|-----------|
| WP-BASE   |
| WP-T84    |
| WP-T90    |
| WP-T96    |
| WP-T8412D |
| WP-T9012D |
| WP-T9612D |
| WP-W15    |
| WP-W30    |
| WP-W36    |
| WP-W42    |
| WP-W1524D |

- Same profile as cabinet door
- Base: 23 1/2"W x 29 1/2"H
- Wall: 11 1/2"W x 14 1/2" / 29 1/2" / 35 1/2" / 41 1/2"
- Wall 24"D: 11 3/4"W x 14 1/2"H (includes 2 doors)
- Tall: 11 3/4"W each door. Height matches that of pantry configuration. Tall bottom door is 49-1/4"H.
  - 24" D Pantries: includes a set of 4 doors
  - 12" D Pantries: includes a set of 2 doors

**NOTE:** Wainscot Panels may come with hinge holes pre-drilled on the back of the door

## Panels



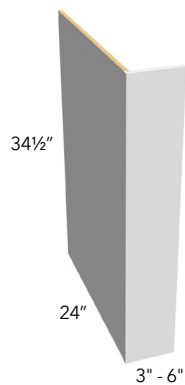
### DECO DOOR

| ITEM          |
|---------------|
| * DD B06FD    |
| DD W0930 DOOR |
| DD W1230 DOOR |
| DD W1530 DOOR |
| DD W1830 DOOR |
| DD W2130 DOOR |

- Size of door reflects same size as standard cabinet doors
- Comes pre-drilled for hinges

\* DD B06FD: Has reduced-width left & right stiles. Designed to be combined with a 6" wide filler for installation on a 6" Spice Pull-Out Accessory. Hinge drilling not available. Deco profile matches that of Door Style ordered.

**NOTE:** Deco Doors may have an extended ETA. DD B06FD is made to order and carries a longer lead time of 30 business days.



### DISHWASHER RETURN END PANEL

| ITEM |
|------|
| DWR3 |
| DWR6 |

- Sides are flush finished, (no 1/4" reveal)



### COLUMNS

| ITEM     |
|----------|
| CLM-30   |
| CLM-36   |
| CLM-42   |
| CLM-96   |
| CLM-BASE |

- Base: 24" deep
- Tall: 27" deep
- Wall: 15" deep
- To cut column see modifications available on pg. 56
- Any size custom column can be created for additional charge
- Sides are flush finished (no 1/4" reveal)
- Back is unfinished

## Paint & Touch Up Kits



### PAINT

#### ITEM

#### PAINT

- Available in Blanc, Dove, Frost, Indigo, Linen, Nickel, Oyster & Stone painted finishes  
New! Now available for Express Custom Colors.
- Can be ordered by the Pint or Quart. Quart sizes will be shipped out in the equivalent amount of 1-Pint size cans to fulfill the order.

**DISCLAIMER:** Fabuwood takes no responsibility for improper application and/or imperfections caused by using this item. Touch-ups & Finishing applications are recommended to be completed by a qualified cabinet installer.

**NOTE:** Paint for Express colors will not come Pre-Catalyzed. Will come as Paint and separate Catalyzer with instructions on how to mix.



### PAINT SPRAY CAN

#### ITEM

#### PSC

- Available in all stock Signature and Custom Express Color finishes.
- Paint Spray Can can be used for general touch-ups. Suggested Uses: Spraying the edges of molding before installation, cosmetic touch-up after installation, spraying the edges of TK8 or loose PAN-1/4 finished end skins.
- Note: Not intended to be used to refinish a cabinet or accessory such as trim moldings.
- Due to the complexity of Fabuwood finishes, Paint Spray Cans are not available for stained finishes.

**DISCLAIMER:** Fabuwood takes no responsibility for improper application and/or imperfections caused by use of Paint Spray Can. Touch-ups are recommended to be completed by a qualified cabinet installer.



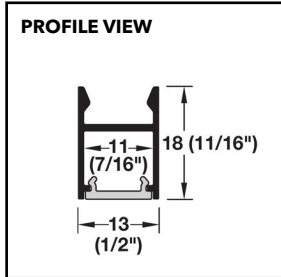
### TOUCH UP KIT

#### ITEM

#### TOUCH UP KIT

- Includes stick, marker, & scraper
- Available in our stock Signature and Express Color finishes

## Under-Cabinet Lighting



### UNDER CABINET LED

| ITEM    |
|---------|
| LED W09 |
| LED W12 |
| LED W15 |
| LED W18 |
| LED W21 |
| LED W24 |
| LED W27 |
| LED W30 |
| LED W33 |
| LED W36 |
| LED W39 |

- Dimmable. Settings allow for adjustment between Warm White to Cool White lighting
- Light temperature range of 2700-5000K
- LED Lighting bars are designed to be surface-mounted underneath a wall cabinet
- Consists of an aluminum channel housing with diffuser cover
- Requires Power Supply Starter Kit, or Power Supply & Recommended Light Switch (purchased separately).

**Note:** Installation by a qualified cabinetry installer or electrician is recommended.

## Paint & Touch Up Kits



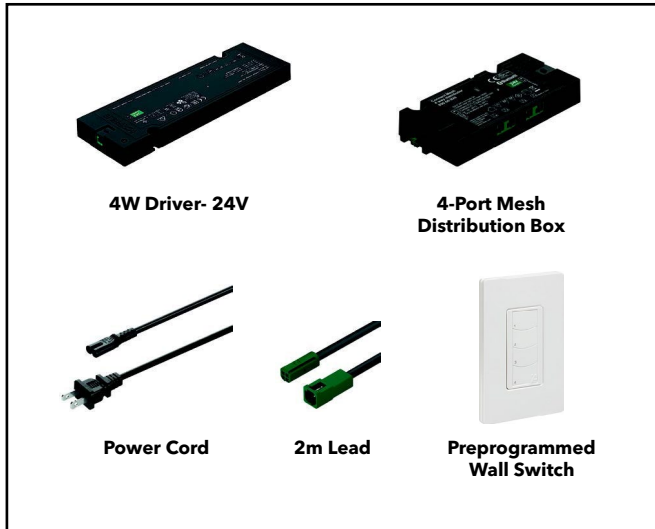
**LED FLS30 WALNUT SHOWN**

### FLOATING SHELF WITH LED

| ITEM             |
|------------------|
| LED FLS24        |
| LED FLS30        |
| LED FLS36        |
| LED FLS42        |
| LED FLS48        |
| LED FLS54        |
| LED FLS24 WALNUT |
| LED FLS30 WALNUT |
| LED FLS36 WALNUT |
| LED FLS42 WALNUT |
| LED FLS48 WALNUT |
| LED FLS54 WALNUT |

- Dimmable. Settings allow for adjustment between Warm White to Cool White lighting
- Light temperature range of 2700-5000K
- Floating shelves include a Light Bar with 6.5ft Lead and a 6.5ft Extension Lead
- LED Light Bar for Floating Shelves ship loose and are to be installed in the field
- Floating Shelves with LED are available in Stock Paint and Stain Finishes, Walnut and are to be specified at time of order. For Finishing to a custom color, must be ordered as Dove or Frost.
- Requires Power Supply Starter Kit, or Power Supply & Recommended Light Switch (purchased separately).

**Note:** Installation by a qualified cabinetry installer or electrician is recommended.



| <b>Zone Control Kit Contents &amp; Qty per number of Zones</b> | <b>1 Zone</b> | <b>2 Zones</b> | <b>3 Zones</b> | <b>4 Zones</b> |
|--|---------------|----------------|----------------|----------------|
| 40w Driver (24V) with power cord                               | 1             | 2              | 3              | 4              |
| 2mm (6.5ft) Extension Lead to Connect to First Light           | 1             | 2              | 3              | 4              |
| 4-Port Mesh Distribution Box, Bluetooth Enabled                | 1             | 2              | 3              | 4              |
| Preprogrammed Wall Switch (Bluetooth Enabled, Leviton Decora)  | 1             | 1              | 1              | 1              |



## POWER SUPPLY STARTER SET

### ITEM

LED SKIT WLS 1Z

LED SKIT WLS 2Z

LED SKIT WLS 3Z

LED SKIT WLS 4Z

- Power Supply Starter sets with Zone Controls come with the following components:
  - 40w Driver, 24V with power cord
  - 2m (6.5ft) Extension Lead to Connect First Light
  - 4-Port Mesh Distribution Box (Bluetooth-enabled, pairs with Wall Switch)
  - One (1) Preprogrammed Wall Switch with Dimmer Function
- Starter Sets should be ordered based on the number of Lighting Zones needed. Starter Kit components quantities are based on zone quantity.
- Each Power Supply Driver requires a 110V standard power outlet
- If more than (4) zones are needed: purchase additional Power Supply Starter Sets depending on additional quantity of zones needed. Additional Wall Switch LED WLS SWITCH is available for purchase.
- Consult the following page or the Ordering Guide for instructions on determining zones and for layout examples.

**NOTE:** Maximum amount of 10ft per zone is advised. Cabinetry runs greater than 10ft are considered 2 zones (or more).

Installation by a qualified cabinetry installer or electrician is recommended

## ADDITIONAL WIRELESS WALL LIGHT SWITCH

### ITEM

LED WLS SWITCH

- Leviton Decora-style Wall Switch with Dimmer Function

**Note:** Installation by a qualified cabinetry installer or electrician is recommended.

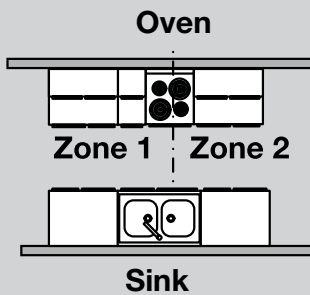
**ORDERING GUIDE**

Ordering Loox Kitchen Lighting can be completed within a few steps. We will outline those steps below so that you can specify the products that work best for your kitchen.

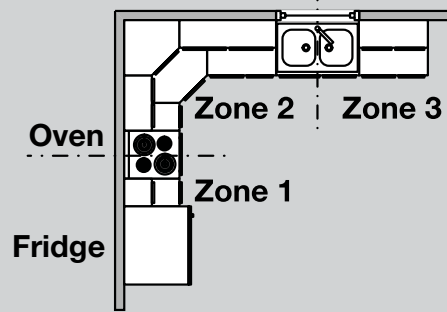
**DETERMINE ZONES**

Determine how many total light zones are in the kitchen; a zone is determined by a continuous run of cabinets. Any separation in the wall cabinets including windows, range hoods, doors, etc. creates a break and may create another zone. If a zone is greater than 10' consider it 2 zones. Make sure there is a 110 V power outlet for each zone either in the cabinet or immediately above the cabinet. See examples of zone illustrations below:

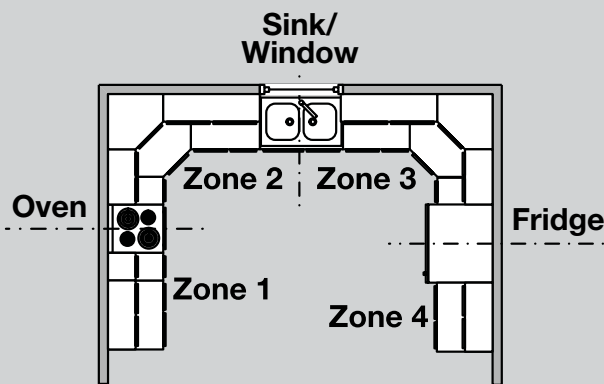
Layout Examples



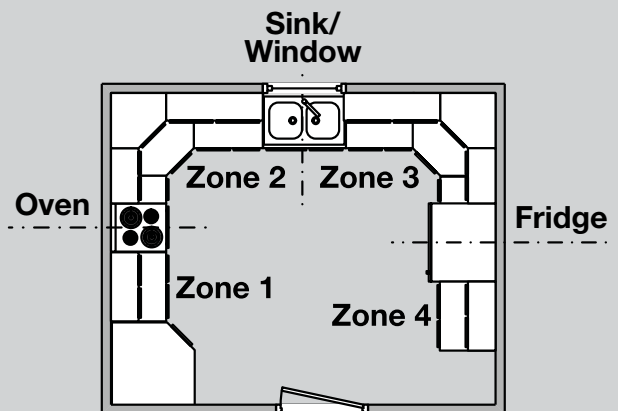
**GALLEY**



**L-SHAPE**



**U-SHAPE**



**G-SHAPE**

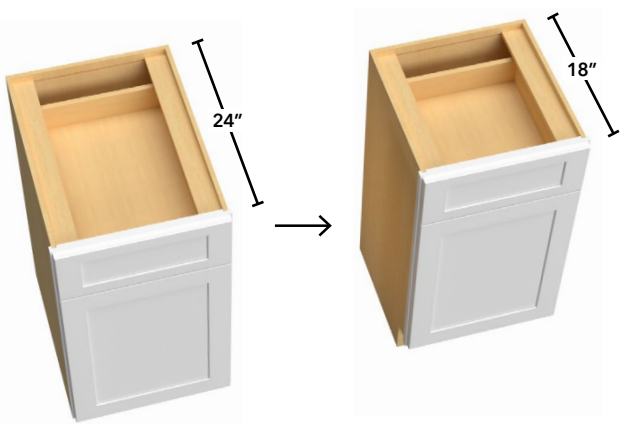


# **Modifications**

## Cut Modifications

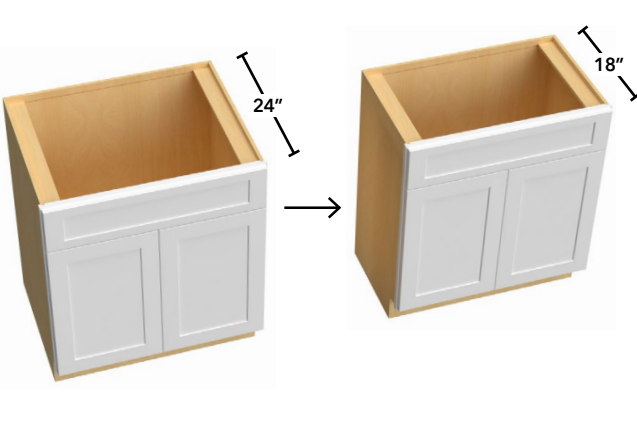
**ITEM**  
CUT-BASE

- Reduce depth of base cabinet (min. depth 12")



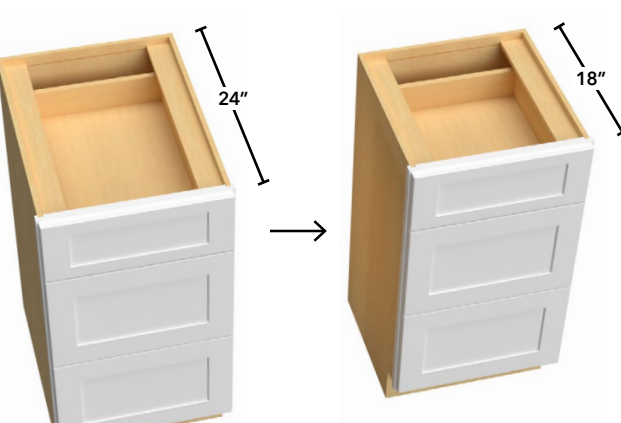
**ITEM**  
CUT-SBASE

- Reduce depth of sink base cabinet (no min.)



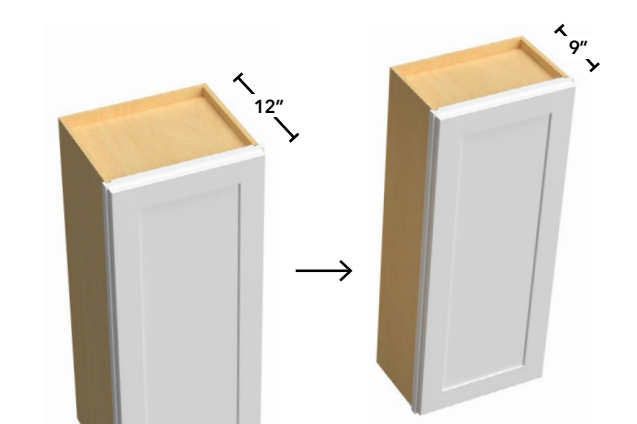
**ITEM**  
CUT-DBASE

- Reduce depth of drawer base cabinet (min. depth 12")



**ITEM**  
CUT-WALL

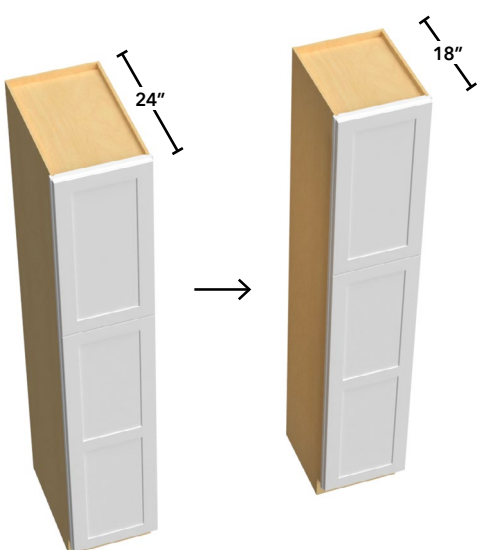
- Reduce depth of wall cabinet (no min.)



## Cut Modifications

**ITEM**  
CUT-TALL

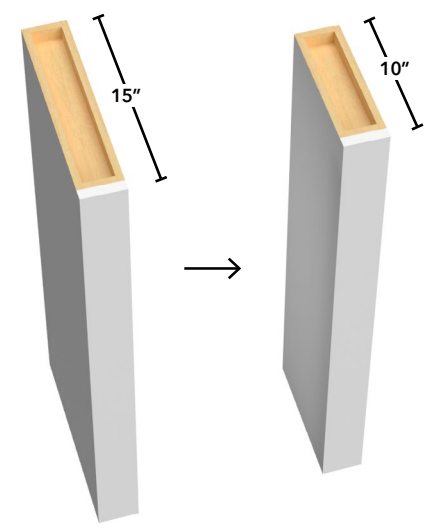
- Reduce depth of tall cabinet (no min.)



The diagram illustrates a modification to a tall cabinet. On the left, a 3D perspective view of a tall cabinet is shown with a depth dimension of 24 inches. An arrow points to the right, where the same cabinet is shown after being cut to a depth of 18 inches.

**ITEM**  
CUT-COLUMN

- Reduce depth of column (specify depth)

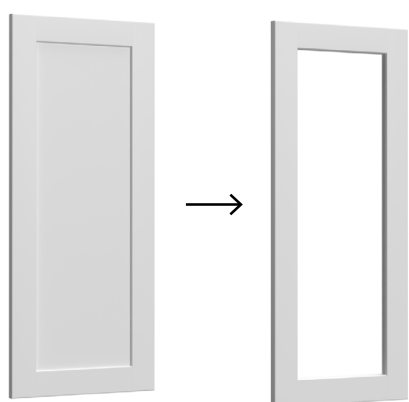


The diagram illustrates a modification to a cabinet column. On the left, a 3D perspective view of a cabinet column is shown with a depth dimension of 15 inches. An arrow points to the right, where the same column is shown after being cut to a depth of 10 inches.

**ITEM**  
CUT-DOOR\*

- Cut out center panel of door for glass insert (per door, glass not included)
- MATCH-INTERIOR must be added separately
- Not available for Luna

**Note:** For Luna door style, enter as a Custom Door and select 'Prepped for Glass' as the Center-Panel option.

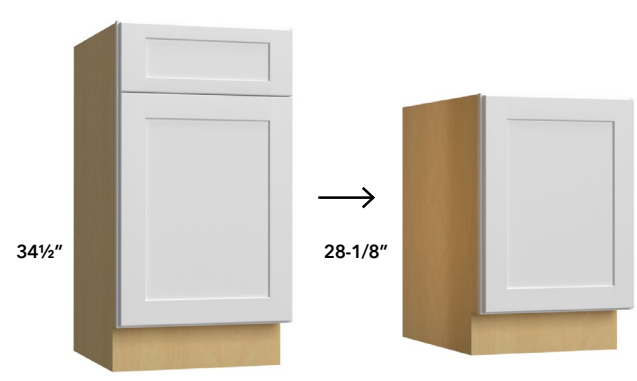


The diagram shows a modification to a cabinet door. On the left, a 3D perspective view of a cabinet door is shown. An arrow points to the right, where the same door is shown with the center panel removed, leaving a rectangular opening for a glass insert.

**ITEM**  
CUT-BASE HEIGHT

- Reduce height of base cabinet by cutting off top drawer (total base height: 28-1/8")
- Designed to create a base cabinet that can be used with a Range Top appliance

**NOTE:** Modification is only available for Base cabinets with a standard top drawer. Not available for 2-Drawer Base, Farm Sink, or File Drawer.




The diagram illustrates a modification to a base cabinet. On the left, a 3D perspective view of a base cabinet is shown with a total height dimension of 34 1/2 inches. An arrow points to the right, where the same cabinet is shown after the top drawer has been cut off, resulting in a total height of 28 1/8 inches.

## Cut Modifications

**ITEM**  
CUT-TK

- Reduce toe kick height
- Specify total cabinet height when selecting modification.
- Will ship Toe Kick loose if full height of toe kick is removed.



The diagram shows a side view of a cabinet. On the left, the cabinet has a toe kick labeled "4 1/2\"". An arrow points to the right, where the same cabinet is shown with a shorter toe kick labeled "2\"".

**ITEM**  
CUT-ROD

- Reduce depth of rollout drawer (specify depth of cabinet)
- CUT-ROD modification will be automatically added when CUT-depth reduction has been applied to a cabinet with a ROD accessory selected.
- Roll Out Drawer is trimmed from the back to new depth. Back panel will no longer be dovetailed.

*Note: to add CUT-ROD on ROD Roll Out Drawers being ordered loose, please contact your Customer Service Teams for assistance.*

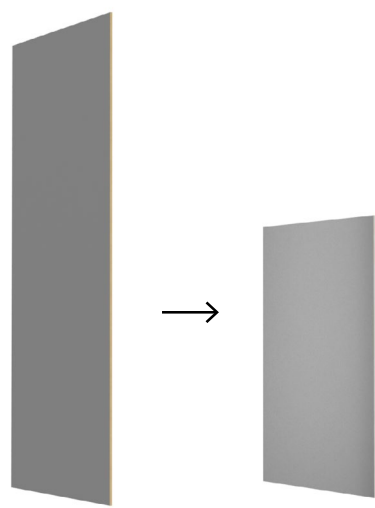


The diagram shows a wooden rollout drawer. An arrow points to the right, where the same drawer is shown with a shallower depth.

**ITEM**  
CUT-PANEL

- Cut down a panel to any size

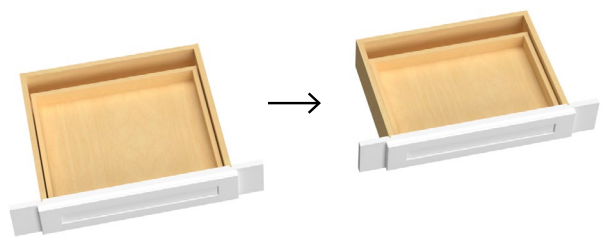
*Note: cut sides do not include edge-banding. Contact Customer Service to request application via Custom Shop, or add EDGE-BANDING (QTY per L.F.) as a loose accessory item for field application.*



The diagram shows a tall, narrow grey panel. An arrow points to the right, where a shorter, narrower grey panel is shown.

**ITEM**  
CUT-KD30

- Reduce depth of knee drawer cabinet (specify depth of cabinet)

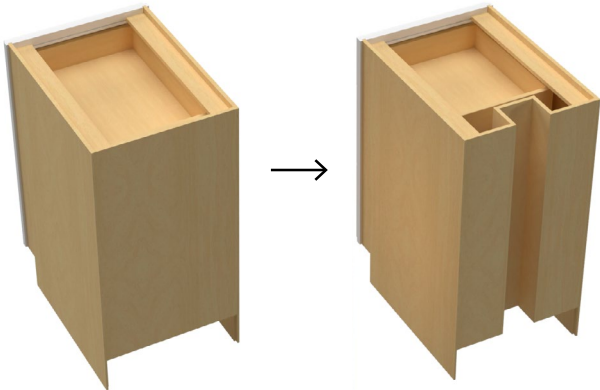


The diagram shows a knee drawer cabinet with a white front panel. An arrow points to the right, where the same cabinet is shown with a shallower depth.

# Pipe Chase

**ITEM**  
CHASE-BASE

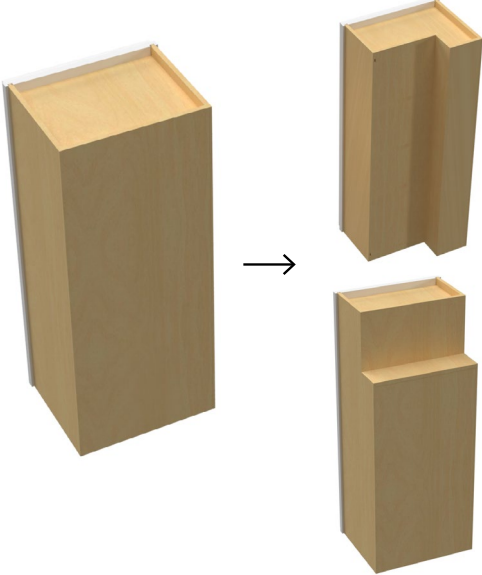
- Make chase in base cabinet
- **Must supply a drawing for all chase modifications.**



The diagram shows a 3D perspective of a light-colored wooden base cabinet. On the left, the cabinet is shown in its original state. An arrow points to the right, where the same cabinet is shown with a rectangular cutout (chase) on the right side of its front panel, revealing the interior.

**ITEM**  
CHASE-WALL

- Make chase in wall cabinet
- **Must supply a drawing for all chase modifications.**



The diagram shows a 3D perspective of a light-colored wooden wall cabinet. On the left, the cabinet is shown in its original state. An arrow points to the right, where the cabinet is shown with a rectangular cutout (chase) on the right side of its front panel, revealing the interior.

**ITEM**  
CHASE-DBASE

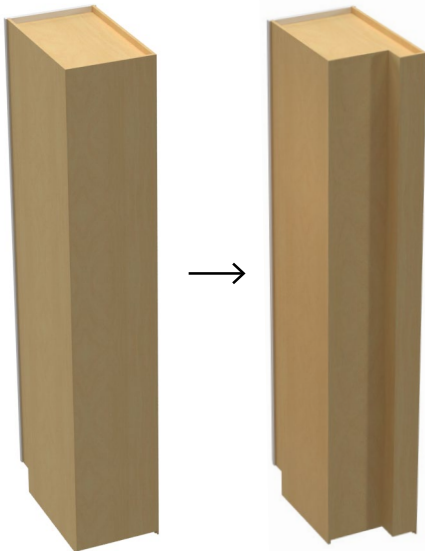
- Make chase in drawer base cabinet
- **Must supply a drawing for all chase modifications.**



The diagram shows a 3D perspective of a light-colored wooden drawer base cabinet. On the left, the cabinet is shown in its original state. An arrow points to the right, where the cabinet is shown with a rectangular cutout (chase) on the right side of its front panel, revealing the interior.

**ITEM**  
CHASE-TALL

- Make chase in tall cabinet
- **Must supply a drawing for all chase modifications.**



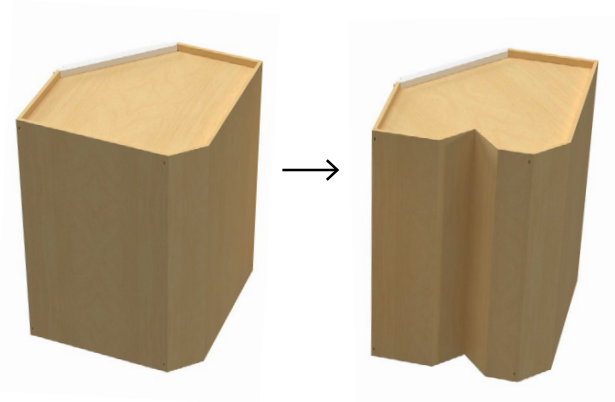
The diagram shows a 3D perspective of a light-colored wooden tall cabinet. On the left, the cabinet is shown in its original state. An arrow points to the right, where the cabinet is shown with a rectangular cutout (chase) on the right side of its front panel, revealing the interior.

## Pipe Chase

ITEM

CHASE-CORNER

- *Make chase in corner cabinet (WDC, WPC & ERB only)*
- **Must supply a drawing for all chase modifications.**



## Create Columns & Returns

ITEM

CREATE-RETURN WALL\*

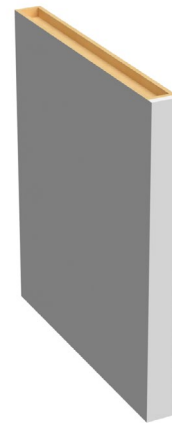
- Create a return wall filler up to 6"W x 15"D x 42"H (materials incl.)
- Email [orders@fabuwood.com](mailto:orders@fabuwood.com) for quote



ITEM

CREATE-COLUMN BASE\*

- Create a 3" column up to 30"D by 34½"H
- Email [orders@fabuwood.com](mailto:orders@fabuwood.com) for quote



ITEM

CREATE-RETURN TALL\*

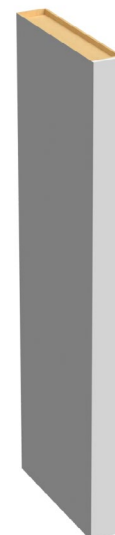
- Create a return tall filler up to 6"W x 30"D x 96"H (materials incl.)
- Email [orders@fabuwood.com](mailto:orders@fabuwood.com) for quote



ITEM

CREATE-COLUMN TALL\*

- Create an oversized column up to 120" high
- Email [orders@fabuwood.com](mailto:orders@fabuwood.com) for quote



## Create Columns & Returns

ITEM

CREATE-COLUMN WALL\*

- Create a 3" column up to 15"D x 42"H
- Email [orders@fabuwood.com](mailto:orders@fabuwood.com) for quote





## Custom Doors

**ITEM**

CUSTOM DOOR\*\*

CUSTOM DRAWER FRONT

CUSTOM DECO PANEL

Custom Doors, Drawer Fronts & Deco Panels available to order on EZ-Pricing Online.

- Available in 1/16" increments.
- Sizing and availability subject to restrictions & door style selected.

**NOTE: Oversize items will receive a Warranty Disclaimer and will not be covered under Fabuwood's Warranty.**

**Lead Time:**

All custom order doors, fronts & deco panels receive extended lead times. Lead times to be advised at time of order placement & may be subject to change.

\* CUSTOM DOOR offers the following configuration options:

1. Center Panel:

- Standard Center-Panel
- Prepped for Glass

2. Hinging:

- With hinge holes
- With hinge holes on top as Lift-up
- With no hinge holes

**Additional custom options available:**

For custom panel configurations, modified stile & rail widths, Wine Cooler Door Overlays or other non-standard requests please email [orders@fabuwood.com](mailto:orders@fabuwood.com) for pricing.

Refer to Selling Sheet for more information.

## Customizations

ITEM

HAMPER

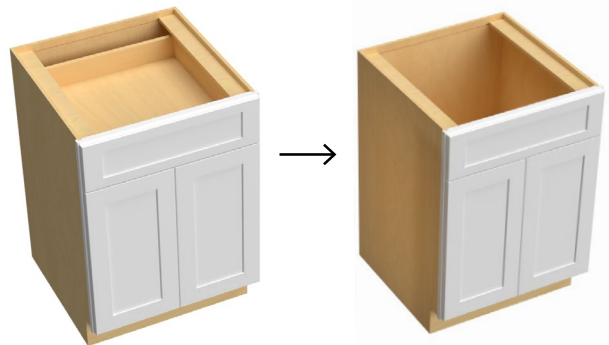
- Install door mounted pull out wood hamper in cabinet (cabinet not incl.)
- 18"high Hamper is constructed of natural plywood
- Comes installed with Ball-Bearing slides



ITEM

REMOVE DRAWER

- Remove cabinet drawer to create false drawer front



ITEM

INSTALL-ACCES

- Accessories not included
- Email [orders@fabuwood.com](mailto:orders@fabuwood.com) for quote
- Specify any Third Party accessory for Fabuwood to order & install in a cabinet. Dealer to provide Manufacturer & Model Number.
- Accessory pricing and installation cost vary by item.
- Accessory lead times & availability may vary & are subject to change depending on item(s) selected.

ITEM

CLOSE-BLIND

- Close open section of a blind wall or base cabinet

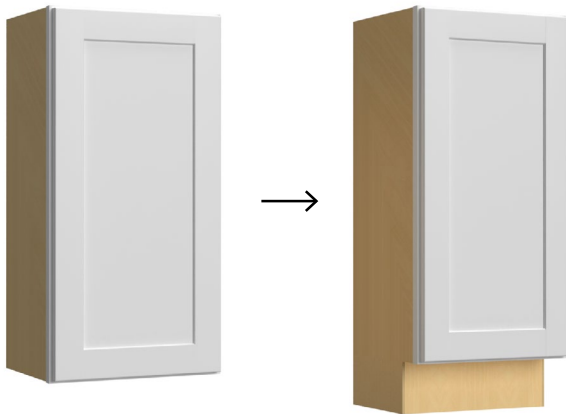


## Customizations

ITEM

ATTACH-TK

- *Attach toe kick on wall cabinet*
- *Choose from the following options: FLUSH TK, Recess Right, Recess Left (or a combination or all three options)*



## Customizations

**ITEM**

**RECESS-TK**

- Recess toe kick of base cabinet (must supply a drawing)
- Choose from the following options: Left, Right, Back or a combination of all three.



**ITEM**

**PEN-CABINET**

- Create a peninsula cabinet from 2 cabinets
- Peninsula side will include standard Recessed Toe Kick



**ITEM**

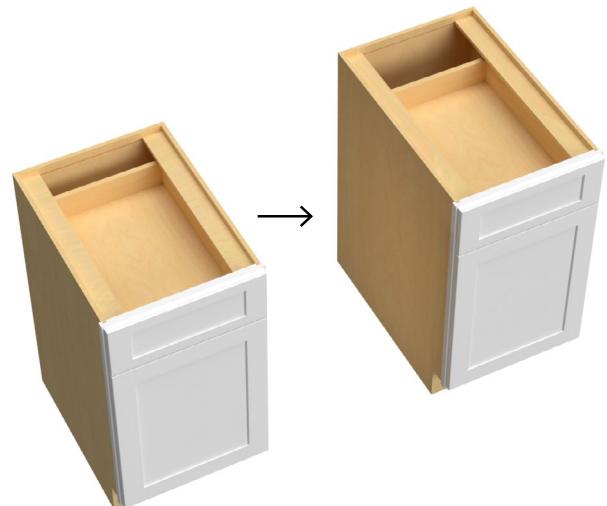
**EDGE-BAND**

- Additional edge banding (price per linear foot)

**ITEM**

**INCREASE-BASE**

- Increase depth on base cabinet
- Increased depth of Rollout drawers are by custom request only and is not included in modification. Custom quote required.

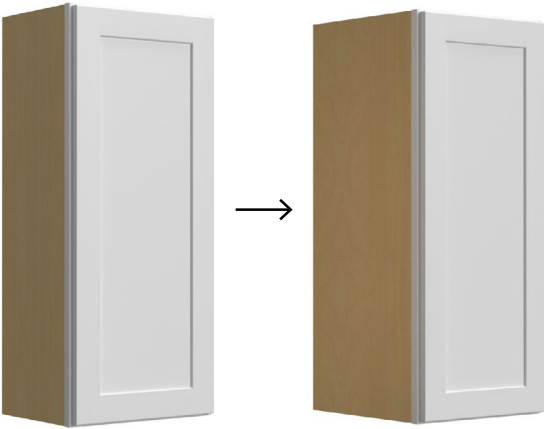


## Customizations

**ITEM**

**INCREASE-WALL**

- Increase depth on wall cabinet
- Increased depth of Rollout drawers are by custom request only and is not included in modification. Custom quote required.



**ITEM**

**MATCH-INTERIOR**

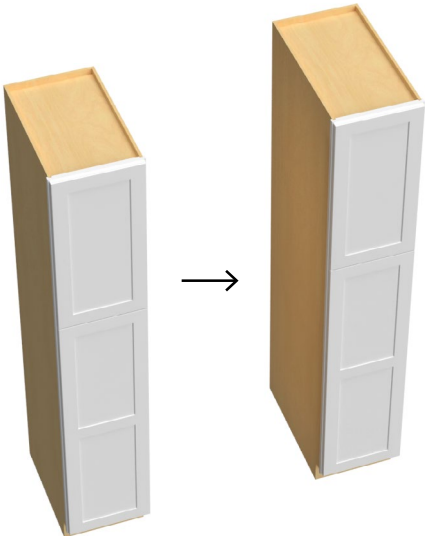
- Finish interior of cabinet to match exterior
- Finished ends must still be specified



**ITEM**

**INCREASE-TALL**

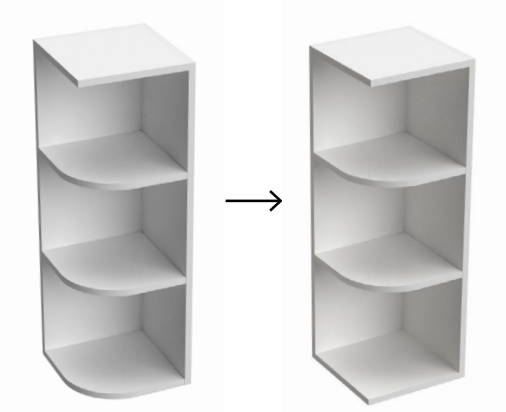
- Increase depth on tall cabinet
- Increased depth of Rollout drawers are by custom request only and is not included in modification. Custom quote required.



**ITEM**

**CREATE- SQ BOTTOM**

- Create square bottom shelf for open end cabinet to allow the use of light rail molding

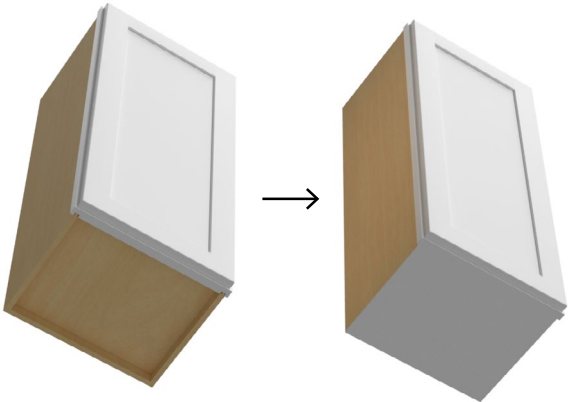


## Customizations

**ITEM**

**FLUSH-WALL BOTTOM**

- Flush the bottom of a wall cabinet
- Bottom will be finished to match exterior finish



**ITEM**

**FULL-DOORS**

- Create a Full-Height Door Base Cabinet on an existing Base Cabinet using Face Frame & Door Set from a 30" high Wall Cabinet.



**ITEM**

**FLUSH-TOE KICK**

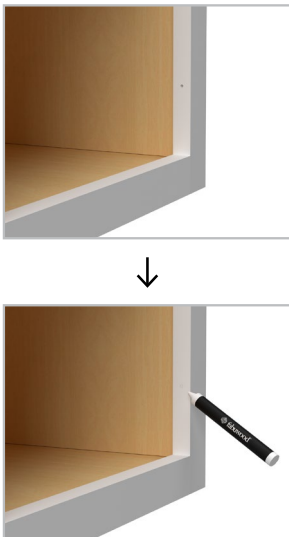
- Flush toe kick of base cabinet to face frame (sides not finished)



**ITEM**

**FILL HINGE-SEAM**

- Fills hinge holes with touch-up, seam will still be visible\*
- Hinges are removed; doors will still be included and are packaged inside the cabinet



## Customizations

ITEM

CLOSE FRONT-OC

- Fabuwood can close the open panel of a base microwave, base oven, tall oven, or wall microwave cabinet by adding 3/4" plywood to the inside of the frame.



BMC30 SHOWN

ITEM

CREATE-BOC

- Modified base cabinet with drawer and doors removed and replaced with full panel in the front. Panel to be cut on job site to fit oven dimensions.



ITEM

CREATE-BMC

- Modified drawer base with top two drawers removed and support shelf installed above the bottom drawer. Full panel placed in the front to be cut on job site to fit oven cabinet dimensions. .



ITEM

INSERT BROOM DIVIDER

- Divide the bottom section of a pantry to use for a broom closet. A cutout will be made in the center fixed shelf to allow space for the broomstick.
- Broom section is 6" wide.

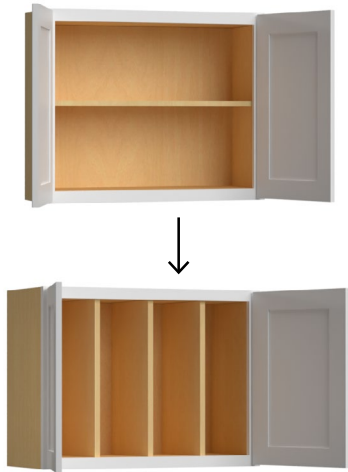


## Customizations

**ITEM**

**INSERT DIVIDER**

- Inserts 1/2" vertical trays into standard wall or base cabinet from 9"W - 36"W
- Widths 9" - 18": QTY 1 only
- Widths 21" - 24": QTY 1, 2
- Widths 27" - 30": QTY 1, 2, 3
- Widths 33" - 36": QTY 1, 2, 3, 4



**ITEM**

**INVERT FRAME-TALL**

- Modifying standard tall pantry, the frame and doors are inverted to have the tall door on the top and short door on the bottom.
- A groove is added to adjust the fixed shelf height



**ITEM**

**INVERT FRAME-BASE**

- Modifying standard base cabinet, the drawer and drawer are inverted with door at the top and drawer on the bottom.
- Fixed shelf with front rail is inverted above the drawer
- When selected vanity depth is not available, an additional cut-base charge will apply.



**ITEM**

**REMOVE FLOOR**

- Bottom panel, bottom rail, and toe kick (if applicable) are removed from frame.
  - Bottom panel grooves are filled in and support is added for shipping.
- Note: Cabinets with full center stile are not eligible for this modification*





## Customizations

ITEM

TK DRAWER

- *Installs drawer into the toekick of a base cabinet.*



## Upgrades

| ITEM                | DESCRIPTION   |
|---------------------|---|
| GLAZE               | Custom glazes available for a charge                                    |
| FINISHING           | Refinish from stock Fabuwood paint color to another stock paint color.* |
| CUSTOM COLOR PAINT  | Refinish to custom color paint.*  |
| FINISHING SURCHARGE | Custom Color Set-Up Fee**   |
| FINISHING - RFD     | Refinish third party accessory to a stock or custom color paint***      |

\* Refer to Dealer Policies and Procedures for full details.

\*\* Set-up fee is waived for Custom Express Colors

\*\*\* Available for painted finishes only. Restrictions may apply. Dealer may request to have a 3rd party item refinished to stock color.

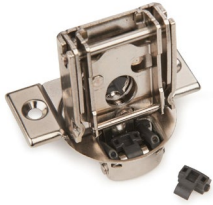
◊ Email [orders@fabuwood.com](mailto:orders@fabuwood.com) for quote

Many more modifications available- please contact your customer service rep.

## Loose Parts

### LOOSE PARTS

| ITEM                       | DESCRIPTION                                     |
|----------------------------|---|
| SK BASE                    | Skin for base cabinet with adhesion             |
| SK MC                      | Skin for microwave wall cabinet with adhesion   |
| SK TALL                    | Skin for tall cabinet with adhesion             |
| SK T12D                    | Skin for 12" deep tall cabinet with adhesion    |
| SK W30                     | Skin for 30" high wall cabinet with adhesion    |
| SK W36                     | Skin for 36" high wall cabinet with adhesion    |
| SK W42                     | Skin for 42" high wall cabinet with adhesion    |
| SK WD                      | Skin for wall with drawer cabinet with adhesion |
| BLUM-COMPACT RES CLIP 10PK | PACK OF 10 BLUM-COMPACT ANGLE RESTRICTION CLIP  |
| BLUM-LBS RES CLIP 2PK      | PACK OF 2 BLUM LSB ANGLE RESTRICTION CLIP       |
| STEM BUMPER                | Individual Stem Bumper                          |
| AS-CLIP-1                  | Allure Shelf Clips - Set for 1 Shelf (Qty 4)    |
| AS-CLIP-2                  | Allure Shelf Clips - Set for 2 Shelves (Qty 8)  |
| AS-CLIP-3                  | Allure Shelf Clips - Set for 3 Shelves (Qty 12) |
| AS-CLIP-4                  | Allure Shelf Clips - Set for 4 Shelves (Qty 16) |
| AS-CLIP-5                  | Allure Shelf Clips - Set for 5 Shelves (Qty 20) |
| AS-CLIP-6                  | Allure Shelf Clips - Set for 6 Shelves (Qty 24) |



BLUM-COMPACT RES CLIP



BLUM-LBS RES CLIP



STEM BUMPER



SHELF CLIP

- *Compact Angle Restrictor Clip:*
  - BLUM Angle Restriction Clip for COMPACT BLUMOTION and COMPACT CLIP hinges.
  - Reduces swing from 110-deg to 86-deg
  - One clip required per every two hinges. For a 30" high door, use 1 clip. For 36" to 42" high Door, use 2 clips.
  - Installation Tip: Remove the door from the cabinet prior to installing the angle restriction clip. Insert the clip into the back of the cup hinge arm while it is in a 'closed' position.
- *LSB Angle Restrictor Clip:*
  - BLUM Angle Restriction Clip for Lazy Susan 170-deg CLIP-ON Hinges
  - Reduces door LSB swing from 170-deg to 130-deg .
  - Easy to install, the LSB 170-deg angle restrictor clip snaps on to the projection point of the hinge.

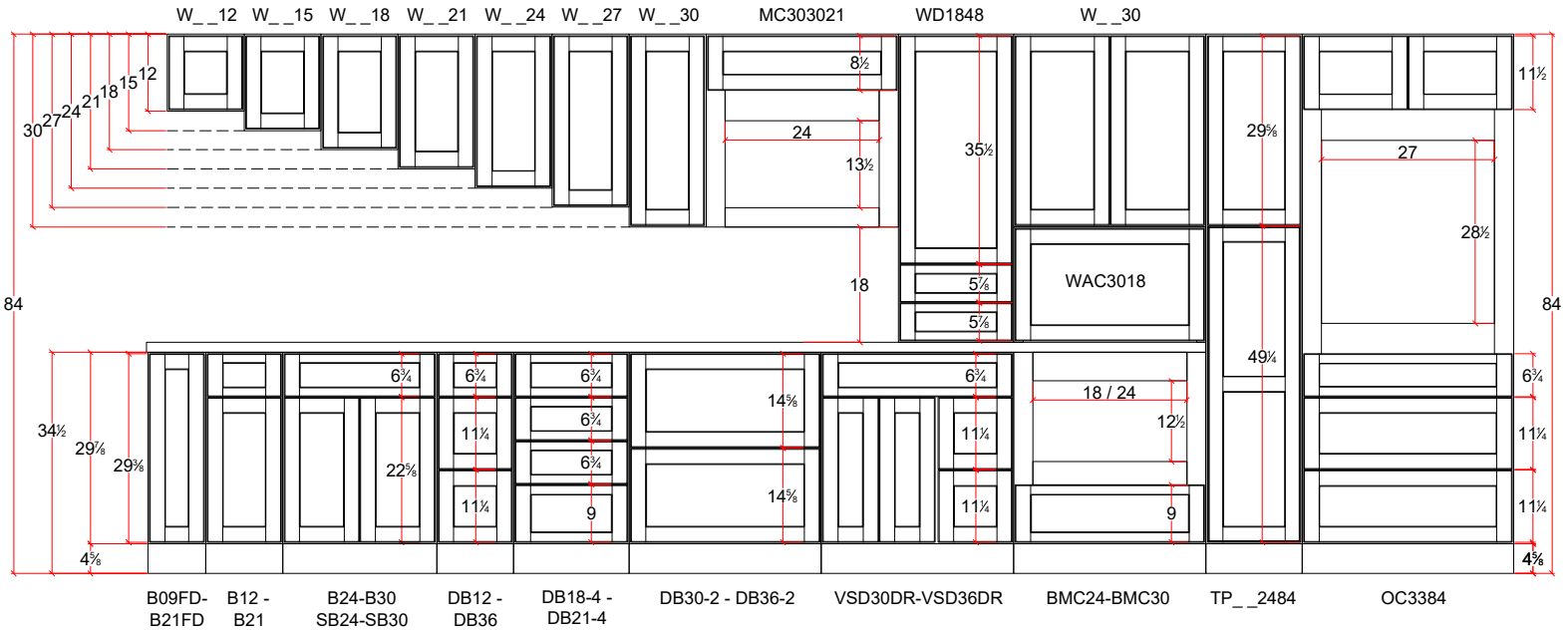
## Loose Parts

### LOOSE SHELVES

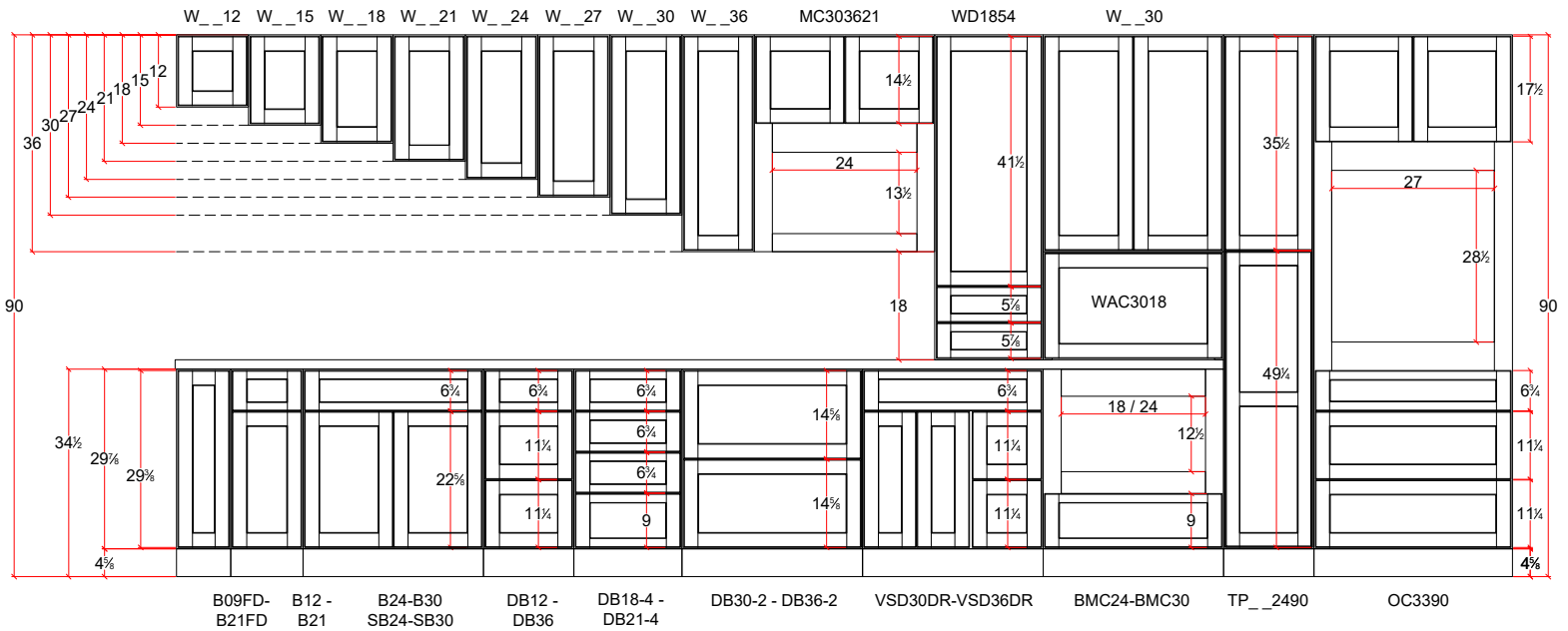
| ITEM      | DESCRIPTION                         |
|-----------|-------------------------------------|
| AS-B12    | Allure Shelf for B12                |
| AS-B15    | Allure Shelf for B15                |
| AS-B18    | Allure Shelf for B18                |
| AS-B21    | Allure Shelf for B21                |
| AS-B24    | Allure Shelf for B24                |
| AS-B27    | Allure Shelf for B27                |
| AS-B30    | Allure Shelf for B30                |
| AS-B33    | Allure Shelf for B33                |
| AS-B36    | Allure Shelf for B36                |
| AS-B39    | Allure Shelf for B39                |
| AS-B42    | Allure Shelf for B42                |
| AS-B48    | Allure Shelf for B48                |
| AS-BRA24  | Allure Shelf for BRA-24             |
| AS-BT12   | Allure Shelf for BT12               |
| AS-LSB33  | Allure Shelf for Lazy Susan Base 33 |
| AS-LSB36  | Allure Shelf for Lazy Susan Base 36 |
| AS-MC30   | Allure Shelf for MC30               |
| AS-VB12   | Allure Shelf for Vanity Base 12     |
| AS-VB15   | Allure Shelf for Vanity Base 15     |
| AS-W09    | Allure Shelf for W09                |
| AS-W12    | Allure Shelf for W12                |
| AS-W15    | Allure Shelf for W15                |
| AS-W1524D | Allure Shelf for W1524D             |
| AS-W18    | Allure Shelf for W18                |
| AS-W1824D | Allure Shelf for W1824D             |
| AS-W21    | Allure Shelf for W21                |
| AS-W24    | Allure Shelf for W24                |
| AS-W2424D | Allure Shelf for W2424D             |
| AS-W27    | Allure Shelf for W27                |
| AS-W30    | Allure Shelf for W30                |
| AS-W3024D | Allure Shelf for W3024D             |
| AS-W33    | Allure Shelf for W33                |
| AS-W3324D | Allure Shelf for W3324D             |
| AS-W36    | Allure Shelf for W36                |
| AS-W3624D | Allure Shelf for W3624D             |
| AS-W39    | Allure Shelf for W39                |
| AS-WAE12  | Allure Shelf for WAE12              |
| AS-WD18   | Allure Shelf for WD18               |
| AS-WDC24  | Allure Shelf for WDC24              |
| AS-WDC27  | Allure Shelf for WDC27              |
| AS-WPC24  | Allure Shelf for WPC24              |

# **Height Alignment Guide**

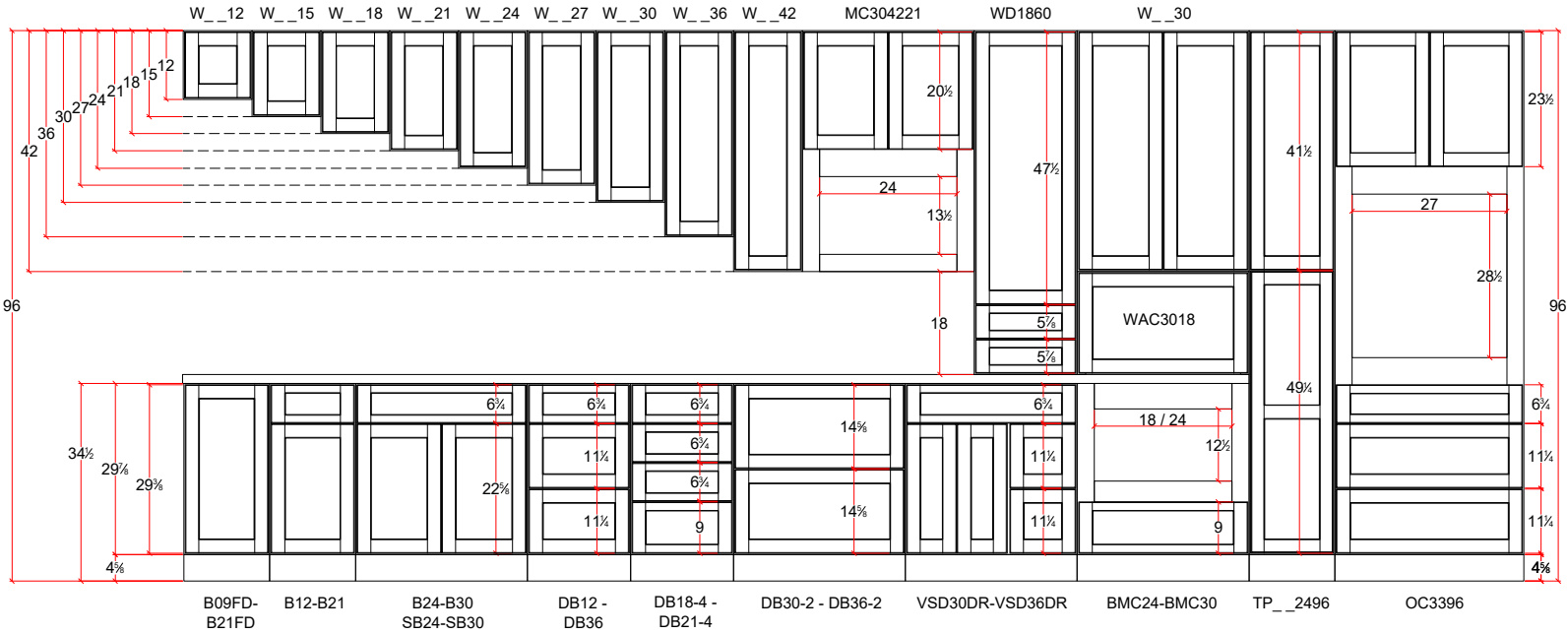
# 84" Height Alignment



# 90" Height Alignment



# 96" Height Alignment





## SKU Glossary

|               |                                       |                     |   |
|---------------|---------------------------------------|---------------------|---|
| <b>B</b>      | Base Cabinet                          | <b>GDWDC</b>        | Glass Door for Wall Diagonal Cabinet          |
| <b>B_FD</b>   | Base Full Door Cabinet                | <b>ICM</b>          | Inside Corner Molding                         |
| <b>BBM</b>    | Base Board Molding                    | <b>KD</b>           | Knee Drawer                                   |
| <b>BEP</b>    | Base End Panel                        | <b>LED FLS</b>      | Light Bar for Floating Shelf                  |
| <b>BF</b>     | Base Filler                           | <b>LED SKIT WLS</b> | Starter Set Power Supply with Wireless Switch |
| <b>BLB</b>    | Blind Base Cabinet                    | <b>LED W</b>        | Under Cabinet Light Bar for Wall Cabinet      |
| <b>BM</b>     | Batten Molding                        | <b>LRM</b>          | Light Rail Molding                            |
| <b>BMC</b>    | Base Microwave Cabinet                | <b>LSB</b>          | Lazy Susan Base                               |
| <b>BOC</b>    | Base Oven Cabinet                     | <b>LSP</b>          | Lazy Susan with Plastic Trays                 |
| <b>BPP</b>    | Beaded Panel Plank                    | <b>LSW</b>          | Lazy Susan with Wood Trays                    |
| <b>BRA</b>    | Base Return Angle                     | <b>MBS</b>          | Mini Sample Base                              |
| <b>BTL</b>    | Base Transitional Left                | <b>MC</b>           | Microwave Cabinet                             |
| <b>BTR</b>    | Base Transitional Right               | <b>MEX</b>          | Molding Extension                             |
| <b>CBKD-B</b> | Cutting Board & Knife Drawer for Base | <b>MLK</b>          | Molding Chain                                 |
| <b>CD-L</b>   | Large Cutlery Divider Insert          | <b>MW</b>           | Microwave With Shelf                          |
| <b>CD-S</b>   | Small Cutlery Divider Insert          | <b>NDW</b>          | No Door Wall Cabinet                          |
| <b>CD-XL</b>  | X-Large Cutlery Divider Insert        | <b>NDWDC</b>        | No Door Wall Diagonal Cabinet                 |
| <b>CHD-B</b>  | Charging Drawer for Base              | <b>OC</b>           | Oven Cabinet                                  |
| <b>CLM</b>    | Column                                | <b>OC__C</b>        | Oven Cabinet Combo                            |
| <b>CM</b>     | Crown Molding                         | <b>OC__D</b>        | Oven Cabinet Double                           |
| <b>CMCB</b>   | Mission Corbel Countertop Bracket     | <b>OC__S</b>        | Oven Cabinet Single                           |
| <b>CML</b>    | Mission Corbel Large                  | <b>OCM</b>          | Outside Corner Molding                        |
| <b>CMS</b>    | Mission Corbel Small                  | <b>OE</b>           | Open End                                      |
| <b>CP</b>     | Corner Post                           | <b>OEL</b>          | Open End Left                                 |
| <b>CWO</b>    | Cookware Organizer                    | <b>OER</b>          | Open End Right                                |
| <b>DB</b>     | Drawer Base Cabinet (3 Drawer)        | <b>OLF</b>          | Overlay Filler                                |
| <b>DB__2</b>  | Drawer Base with 2 Drawers            | <b>PAN</b>          | Panel   |
| <b>DB__4</b>  | Drawer Base with 4 Drawers            | <b>PLY</b>          | Plywood                                       |
| <b>DCD</b>    | Double Cutlery Drawer                 | <b>PP-BASE</b>      | Plain Pilaster for Base                       |
| <b>DD</b>     | Decorative Door                       | <b>PP-T</b>         | Plain Pilaster for Tall                       |
| <b>DFG</b>    | Door Prepped For Glass                | <b>PP-W</b>         | Plain Pilaster for Wall                       |
| <b>DFGWD</b>  | Door Prepped For Glass Wall Drawer    | <b>PSC</b>          | Paint Spray Can                               |
| <b>DKI</b>    | Double Knife Drawer                   | <b>QRM</b>          | Quarter Round Molding                         |
| <b>DSB</b>    | Diagonal Sink Base Cabinet            | <b>REP</b>          | Refrigerator End Panel                        |
| <b>DSF</b>    | Diagonal Sink Front                   | <b>RHA</b>          | Range Hood Arched                             |
| <b>DSFL</b>   | Diagonal Sink Floor                   | <b>RHBB</b>         | Range Hood Broan Blower                       |
| <b>DTD-D</b>  | Deep Tiered Drawer                    | <b>RHCA</b>         | Range Hood Curved Artisan                     |
| <b>DWR</b>    | Dishwasher Return                     | <b>RHE</b>          | Range Hood Euro                               |
| <b>ERB</b>    | Easy Reach Base                       | <b>RHF</b>          | Range Hood Farmhouse                          |
| <b>FD</b>     | File Drawer                           | <b>RHS</b>          | Range Hood Signature                          |
| <b>FLS</b>    | Floating Shelf                        | <b>ROD</b>          | Roll Out Drawer                               |
| <b>FS</b>     | Farm Sink Base                        | <b>SB</b>           | Sink Base                                     |
| <b>GDW</b>    | Glass Door for Wall Cabinet           | <b>SD</b>           | Sample Door                                   |

## SKU Glossary

|                |  |            |                      |
|----------------|--|------------|----------------------|
| <b>SG23</b>    | Style Guide Brochure                             | <b>WF</b>  | Wall Filler          |
| <b>SHL</b>     | Ship Lap   | <b>WO</b>  | Wall Organizer       |
| <b>SM_-D</b>   | Decorative Scribe Molding                        | <b>WOS</b> | Wall Open Shelf      |
| <b>SM_-S</b>   | Simple Scribe Molding                            | <b>WP</b>  | Wainscot Panel       |
| <b>SP</b>      | Standard Post                                    | <b>WPC</b> | Wall Pie Cut Cabinet |
| <b>SPO-B</b>   | Spice Pull Out for Base                          | <b>WR</b>  | Wine Rack            |
| <b>SPO-BF</b>  | Spice Pull Out for Base Filler                   |            |                      |
| <b>SPO-WF</b>  | Spice Pull Out for Wall Filler                   |            |                      |
| <b>STKM</b>    | Stacking Molding                                 |            |                      |
| <b>STRM</b>    | Starter Molding                                  |            |                      |
| <b>TBPO-BF</b> | Towel Bar Pull Out for Base Filler               |            |                      |
| <b>TC</b>      | Trash Can Drawer                                 |            |                      |
| <b>TC_FHD</b>  | Trash Can Drawer for Full Height Door            |            |                      |
| <b>TCV</b>     | Vanity Depth Trash Can Drawer                    |            |                      |
| <b>TDPO-B</b>  | Tray Divider Pull Out for Base                   |            |                      |
| <b>TF</b>      | Tall Filler                                      |            |                      |
| <b>TK</b>      | Toe Kick   |            |                      |
| <b>TP</b>      | Tall Pantry                                      |            |                      |
| <b>TUK</b>     | Touch Up Kit                                     |            |                      |
| <b>UKBPO-B</b> | Utensil & Knife Block Pull Out for Base          |            |                      |
| <b>UT</b>      | Utensil Tray Insert                              |            |                      |
| <b>UVTCPO</b>  | U-Shaped Vanity Pull Out with Trash Can          |            |                      |
| <b>VAR</b>     | Arched Valance                                   |            |                      |
| <b>VARP</b>    | Arched Valance with Recessed Panel               |            |                      |
| <b>VASR</b>    | Door-Mounted Vanity Appliance Storage Rack       |            |                      |
| <b>VB</b>      | Vanity Base                                      |            |                      |
| <b>VB_FD</b>   | Vanity Base Full Door                            |            |                      |
| <b>VDL</b>     | Vanity Desk Leg                                  |            |                      |
| <b>VDO</b>     | Vanity Drawer Organizer                          |            |                      |
| <b>VGO</b>     | Vanity Grooming Organizer with Outlet            |            |                      |
| <b>VOPO</b>    | Vanity Organizer Pull Out                        |            |                      |
| <b>VSF</b>     | Vanity Sink Base                                 |            |                      |
| <b>VSD</b>     | Vanity Sink & Drawer Combo                       |            |                      |
| <b>VSD_DL</b>  | Vanity Sink & Drawer Combo with Drawers on Left  |            |                      |
| <b>VSD_DR</b>  | Vanity Sink & Drawer Combo with Drawers on Right |            |                      |
| <b>VST</b>     | Straight Valance                                 |            |                      |
| <b>W</b>       | Wall Cabinet                                     |            |                      |
| <b>WAC</b>     | Wall Sppliance Cabinet                           |            |                      |
| <b>WAE</b>     | Wall Angle End                                   |            |                      |
| <b>WBC</b>     | Wall Blind Cabinet                               |            |                      |
| <b>WC</b>      | Wine Cube  |            |                      |
| <b>WD</b>      | Wall Drawer Cabinet                              |            |                      |
| <b>WDC</b>     | Wall Diagonal Cabinet                            |            |                      |

Copyright © 2024 by Fabuwood Cabinetry Corp.

All rights reserved.

No part of this publication may be reproduced, distributed, or transmitted in any form or by any means, including photocopying, scanning, or other electronic or mechanical methods, including online sharing, without the prior written permission of Fabuwood Cabinetry Corp.

